

## Typical Apex Connection



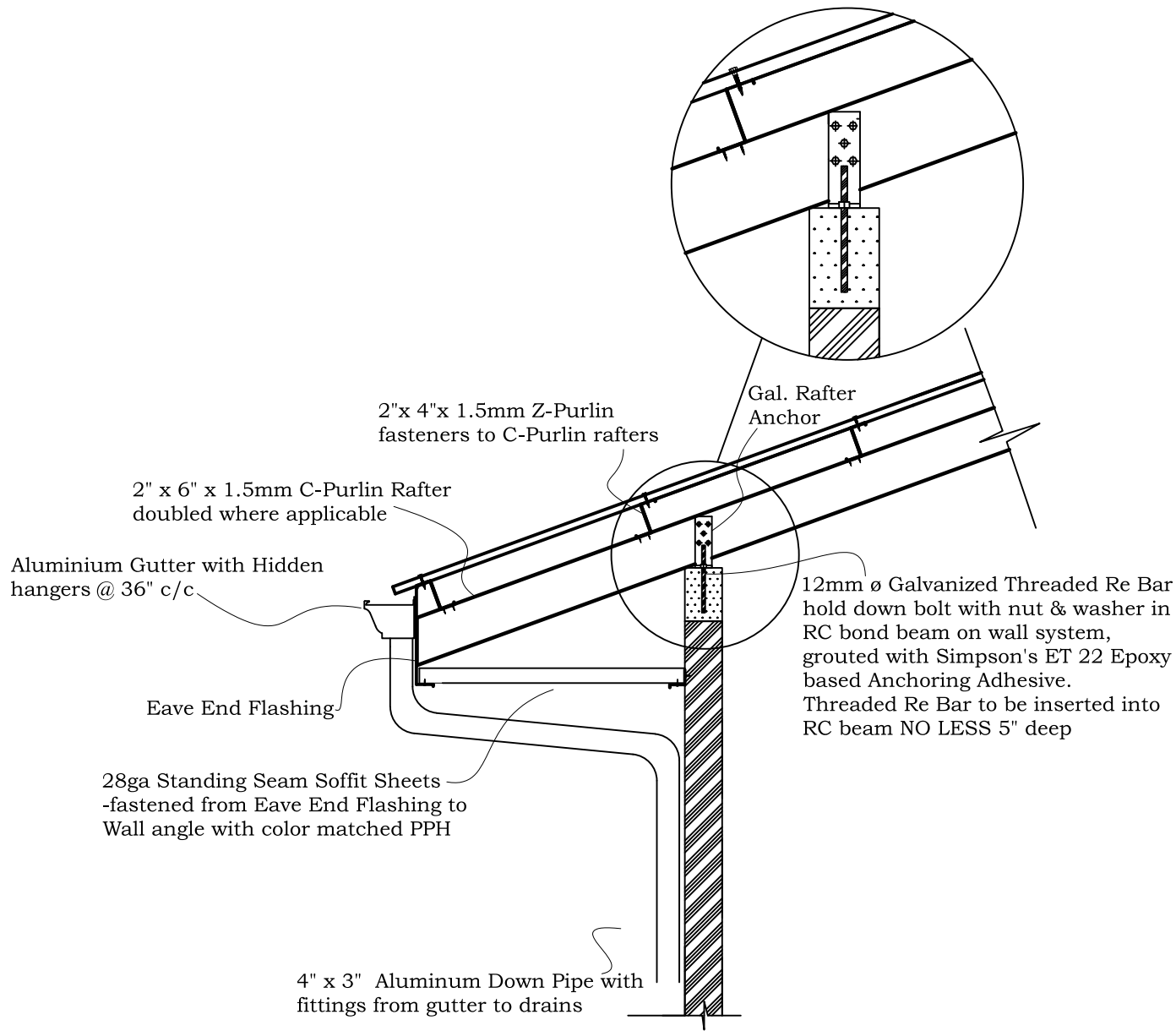



**ROOF SYSTEMS™** **RELLCO** **LIFT IT** **GGI**  
CARIBBEAN WINDOWS & DOORS

**MORE than just roofing**

TEL: 1(868) 285-9164 [www.roofsystemstt.com](http://www.roofsystemstt.com)

Drawn: XXX	Profile: LW Framing		
Scale: NTS	Detail: Apex Detail		
Dwg. Chk. XXX	Dwg. No.		
Date: 03/08/2019	002		
	Job. No.	Sheet No.	Rev.



Typical Eave End Detail

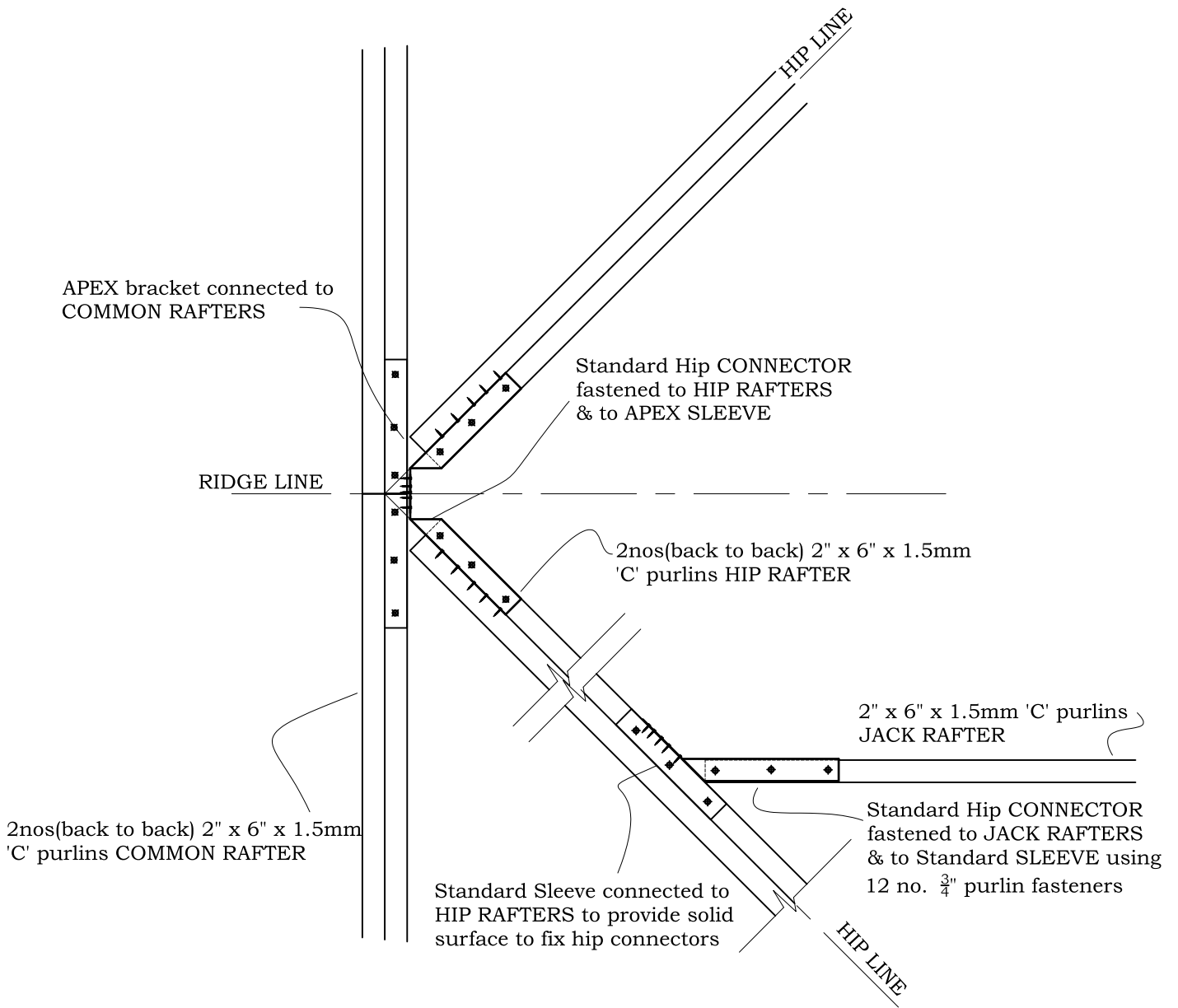





**MORE than just roofing**

TEL: 1(868) 285-9164 [www.roofsystemstt.com](http://www.roofsystemstt.com)

Drawn: XXX	Profile: LW Framing
Scale: NTS	Detail: Eave Detail
Dwg. Chk. XXX	Dwg. No.
Date: 03/08/2019	001
	Job. No.   Sheet No.   Rev.



Typical HIP Rafter Detail

**ROOF SYSTEMS™**

**RELLCO**

**LIFT IT**  
CARIBBEAN

**GGI**  
WINDOWS & DOORS

**MORE than just roofing**

TEL: 1(868) 285-9164 [www.roofsystemstt.com](http://www.roofsystemstt.com)

Drawn: XXX	Profile: LW Framing
Scale: NTS	Detail: Hip Detail
Dwg. Chk. XXX	Dwg. No.
Date: 03/08/2019	003
	Job. No.   Sheet No.   Rev.