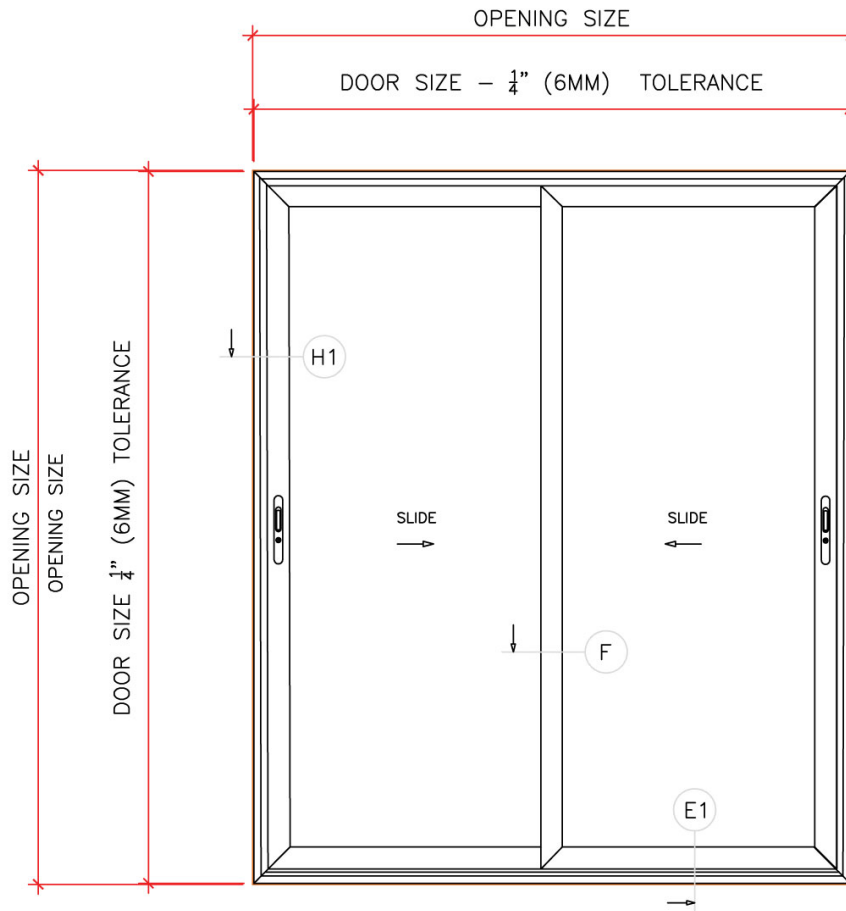


# Doors Euro Sliding - 2 Pc. Bypass Details



TYPICAL DOUBLE DOOR 2 PC BYPASS





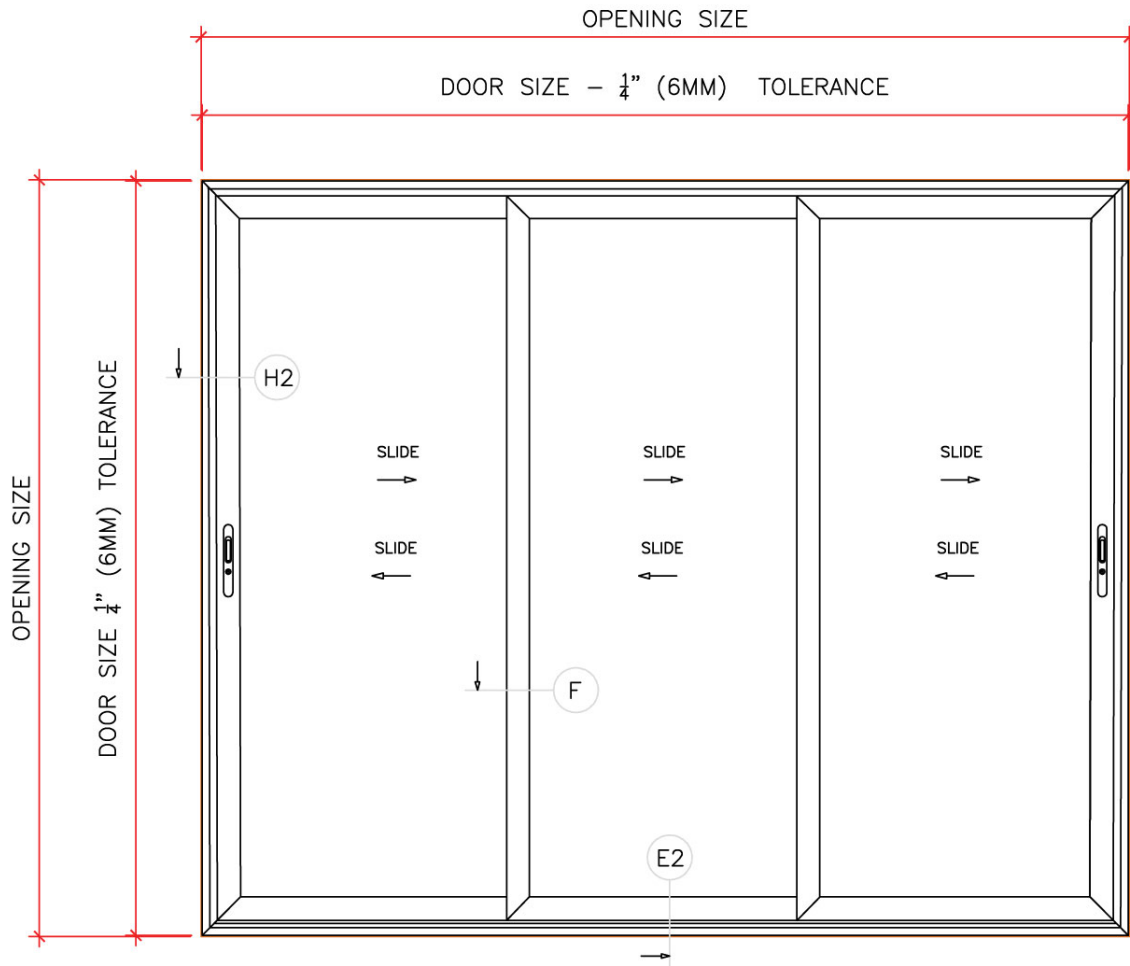


**ROOF SYSTEMS** **RELCO LIFT** **GGI**  
 MORE than just roofing  
 TEL: 1(868) 285-9164 www.roofsystemstt.com

Drawn: XXX	EURO SLIDING
Scale: NTS	Detail: ELEVATION
Dwg. Chk. XXX	Dwg. No.
Date: 01/01/2019	001
	Job. No. Sheet No. Rev.

# Doors Euro Sliding

## - 3 Pc. Bypass Details



TYPICAL DOUBLE DOOR 3 PC BYPASS



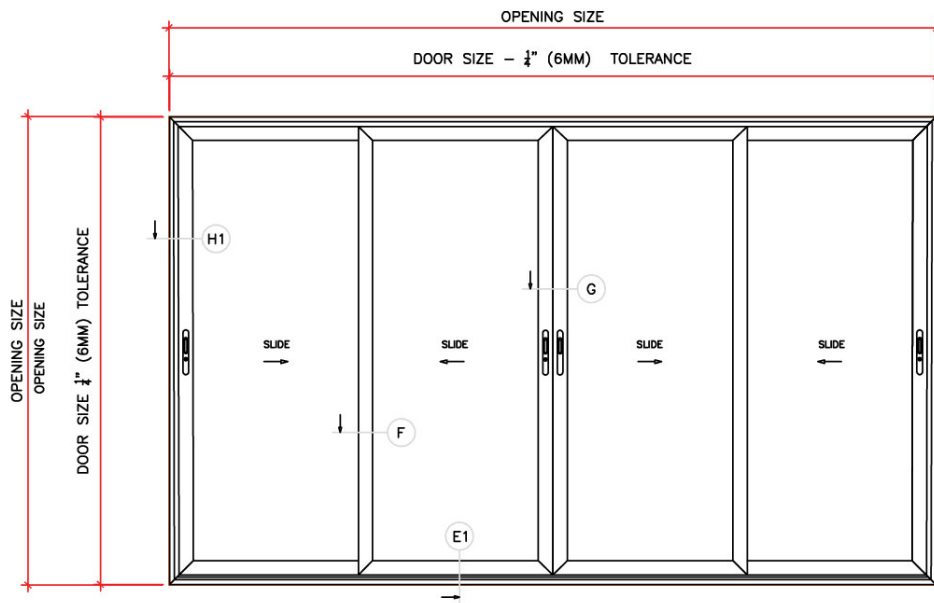




**ROOF SYSTEMS** **RELLCO LIFT** **Ggi**  
 MORE than just roofing  
 TEL: 1(868) 285-9164 www.roofsystemstt.com

Drawn: XXX	EURO SLIDING		
Scale: NTS	Detail: ELEVATION		
Dwg. Chk. XXX	Dwg. No.		
Date: 01/01/2019	001		
	Job. No.	Sheet No.	Rev.

# Doors Euro Sliding - 3 Pc. Bypass Details



TYPICAL DOUBLE DOOR 3 PC BYPASS





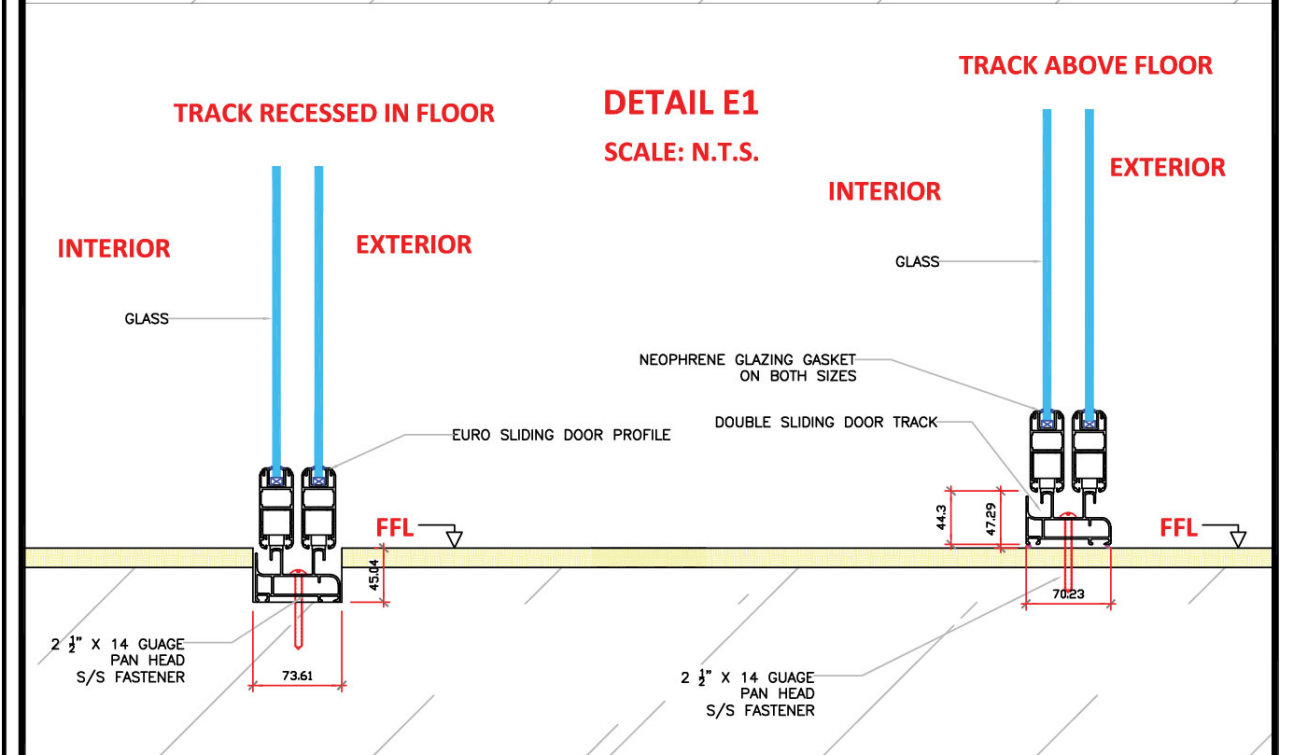
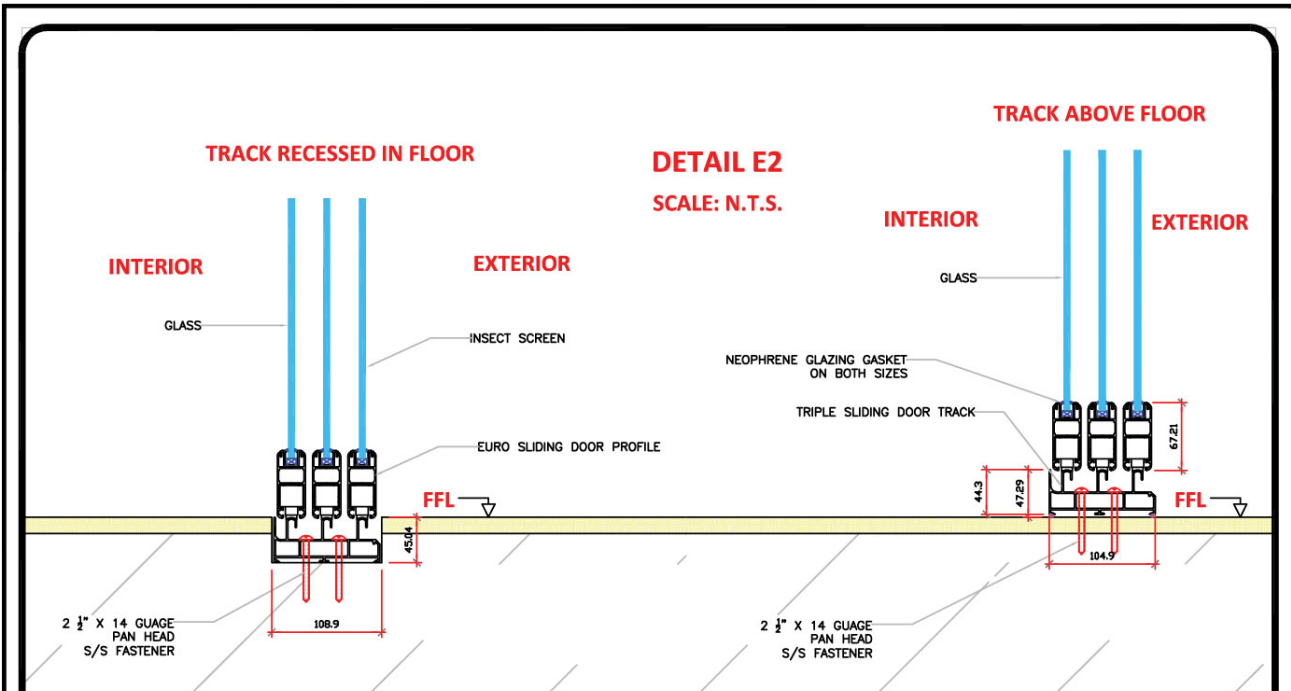



**ROOF SYSTEMS** **RELLCO** **LIFT-U** **Gbi**  
 MORE than just roofing  
 TEL: 1(868) 285-9164 www.roofsystemstt.com

Drawn: XXX	EURO SLIDING		
Scale: NTS	Detail: ELEVATION		
Dwg. Chk. XXX	Dwg. No.		
Date: 01/01/2019	001		
	Job. No.	Sheet No.	Rev.

# Doors Euro Sliding

## - 3 Pc. Bypass Details





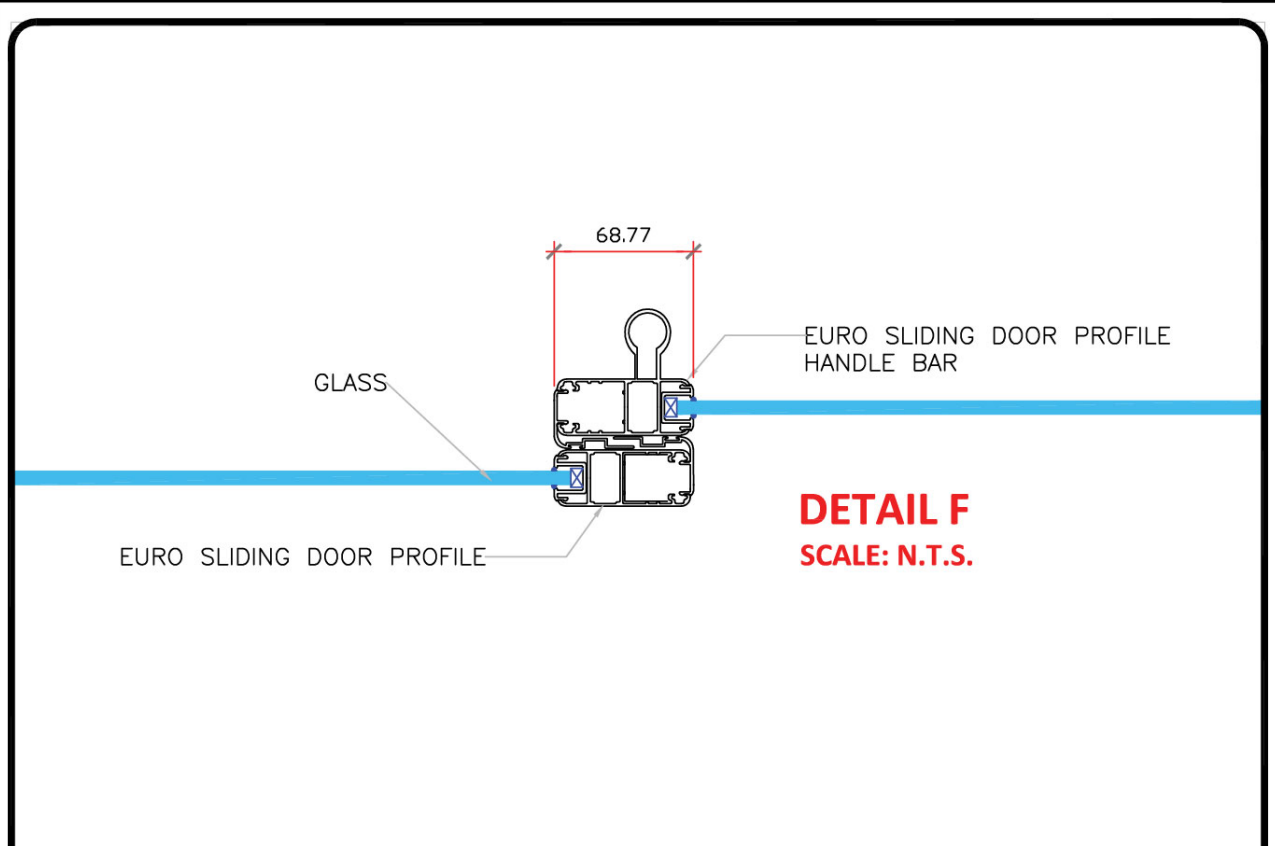


**ROOF SYSTEMS**      **RELCO LIFT**      **GGI**  
 MORE than just roofing

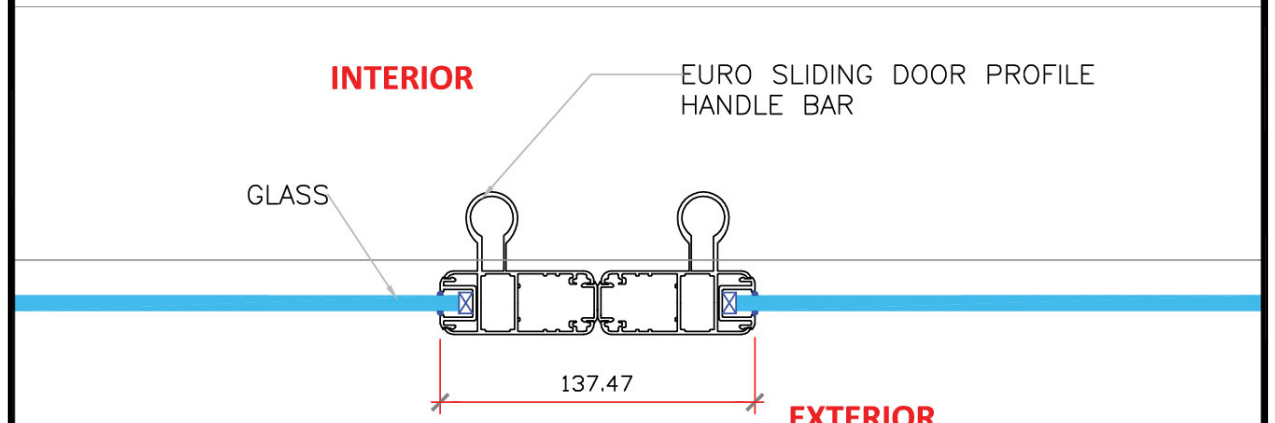
TEL: 1(868) 285-9164      www.roofsystemstt.com

Drawn: XXX	EURO SLIDING DOOR		
Scale: NTS	Detail: DETAILS		
Dwg. Chk. XXX	Dwg. No.		
Date: 01/01/2019	001		
	Job. No.	Sheet No.	Rev.

# Doors Euro Sliding - (F & G) Details



**DETAIL F**  
**SCALE: N.T.S.**



**DETAIL G**  
**SCALE: N.T.S.**




  
**ROOF SYSTEMS** **RELLCO LIFT** **Gbi**  
 MORE than just roofing  
 TEL: 1(868) 285-9164 www.roofsystemstt.com

Drawn: XXX	EURO SLIDING DOOR		
Scale: NTS	Detail: DETAILS		
Dwg. Chk. XXX	Dwg. No.		
Date: 01/01/2019	001		
	Job. No.	Sheet No.	Rev.

# Doors Euro Sliding - (H1 & H2) Details

DOUBLE SLIDING DOOR TRACK

INTERIOR

2 1/2" X 14 GAUGE  
PAN HEAD  
S/S FASTENER

EXTERIOR

EURO SLIDING DOOR PROFILE  
HANDLE BAR

GLASS

3 MM THICK CAULK JOINT USING  
SILICONIZED ACRYLIC SEALANT  
OR STRUCTURAL SILICONE  
(AS SPECIFIED)

## DETAIL H1

SCALE: N.T.S.

TRIPLE SLIDING DOOR TRACK

INTERIOR

## DETAIL H2

SCALE: N.T.S.

2 1/2" X 14 GAUGE  
PAN HEAD  
S/S FASTENER

EXTERIOR

EURO SLIDING DOOR PROFILE  
HANDLE BAR

GLASS

3 MM THICK CAULK JOINT USING  
SILICONIZED ACRYLIC SEALANT  
OR STRUCTURAL SILICONE  
(AS SPECIFIED)


**ROOF SYSTEMS** **RELCO LIFT** **GGI**  
 MORE than just roofing  
 TEL: 1(868) 285-9164 www.roofsystemstt.com

Drawn: XXX	EURO SLIDING DOOR		
Scale: NTS	Detail: DETAILS		
Dwg. Chk. XXX	Dwg. No.		
Date: 01/01/2019	001		
	Job. No.	Sheet No.	Rev.

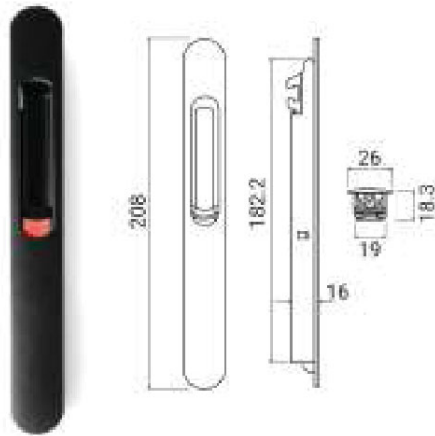
**Doors** *Euro Sliding*  
**- Sliding Lock Details**



# Doors Euro Sliding - Lock Details

## SL8727

Automatic flush mount lock  
No screws



## SL8727-1K

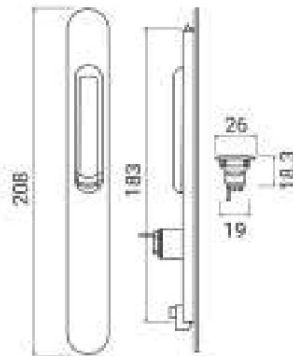
Flush mount lock



For sliding windows and doors - 1 side  
Extruded aluminum and die-cast zinc  
Open/closed indicator  
Removable spring for manual use  
Uses hooks 2251014 or 2733414  
Model with key and without  
Finishes: AL, BK, WH

## SL8727-2K

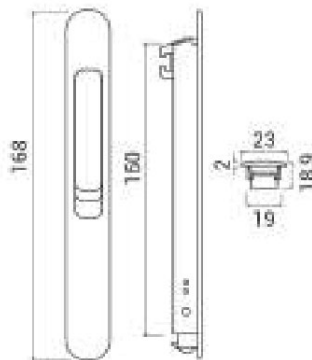
Flush mounted lock with key



Two-sided - for interior with key  
Flush mount lock with key  
Materials: Aluminum and zamak  
Uses hooks 2251014 or 2733414  
Finishes: AL, BK, WH

## SL8725

Mini flush mount lock  
No screws



For sliding windows only  
Materials: Aluminum body  
Compact  
No mounting screws  
Uses hooks 2251014 or 2733414  
Finishes: AL, BK, WH





## TANDEM WHEEL P70

Code: MEN-1T

Date: 17/07/2019



### Specifications

- Adjustable height
- Maximum capacity 120 kgs / pair

### Manufacturing Materials

- Zinc die-cast housing
- Nylon wheel
- Stainless steel needle bearing

### Finishes

- Aluminum (AL)

### Maintenance and Care of Aluminum Products

- 1) Never use abrasive materials to clean aluminum. This may damage the finish of the paint
- 2) For care use a soft damp cloth to clean anything with an aluminum surface
- 3) Please do not use abrasive cleaners. Bleach and solvents may damage the finish
- 4) In many cases aluminium components are supplied with a surface that is protected by a strippable plastic or paper coating. Please take care to remove this after installation
- 5) Make sure to wipe down hardware after installation. This helps maintain the durability of the product

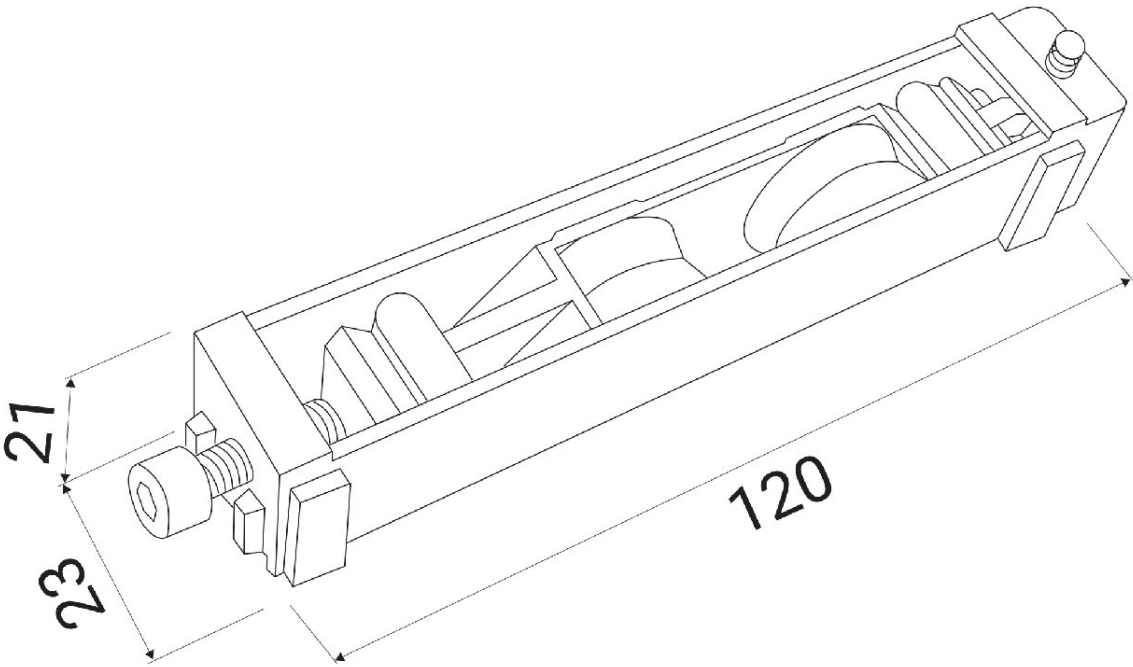
### Warranty

Olimpia Hardware Inc. guarantees the quality and good functioning of its products at the time of delivery to the customer. Any defective factory unit will be replaced at no cost to the customer. This product also has a one year performance guarantee if it was installed correctly

# Doors



TANDEM WHEEL P70	
Code: MEN-1T	Date: 17/07/2019



\*Dimensions given in millimeters (mm)