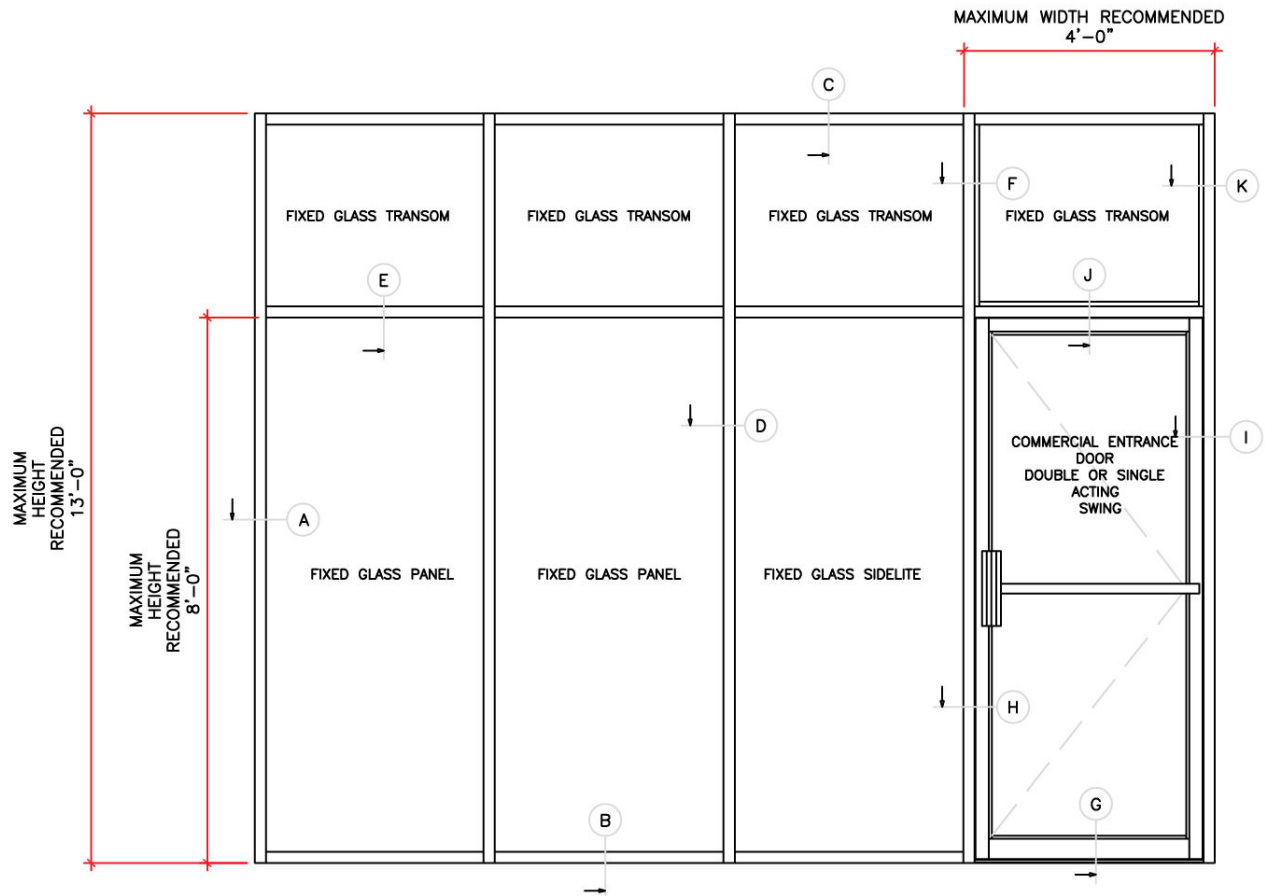


# Shopfront - Layout Details



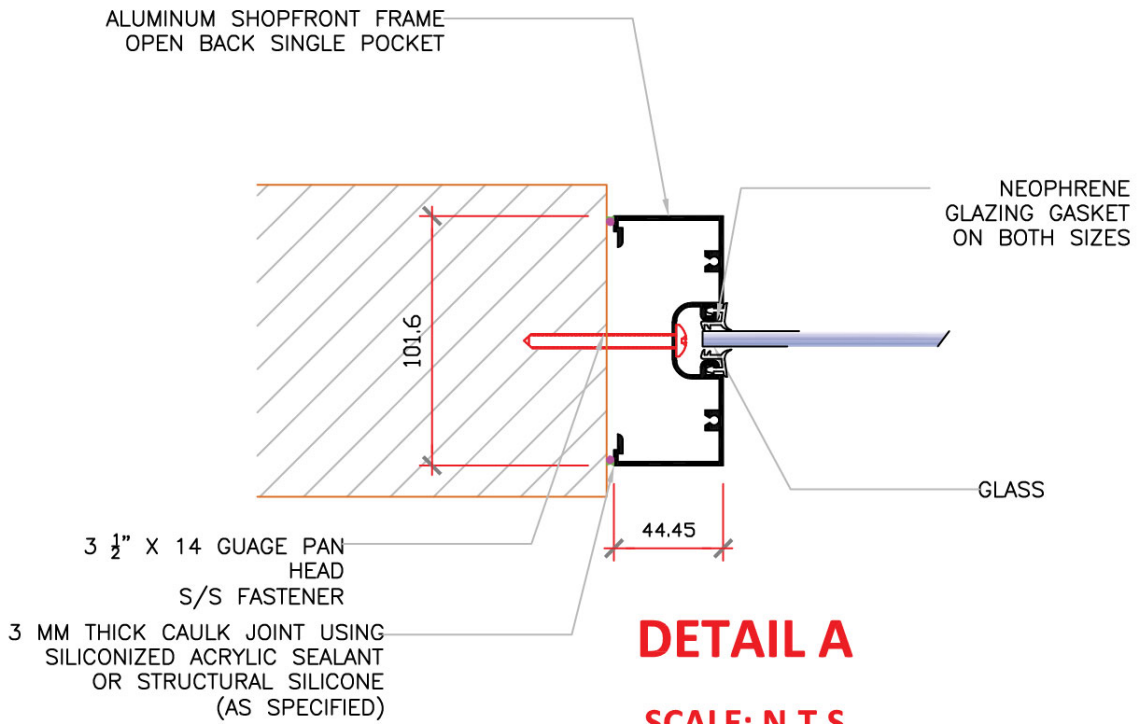
TYPICAL SHOPFRONT LAYOUT ELEVATION




  
**ROOF SYSTEMS** **RELCO LIFT** **Ggi**  
 MORE than just roofing  
 TEL: 1(868) 285-9164 www.roofsystemstt.com

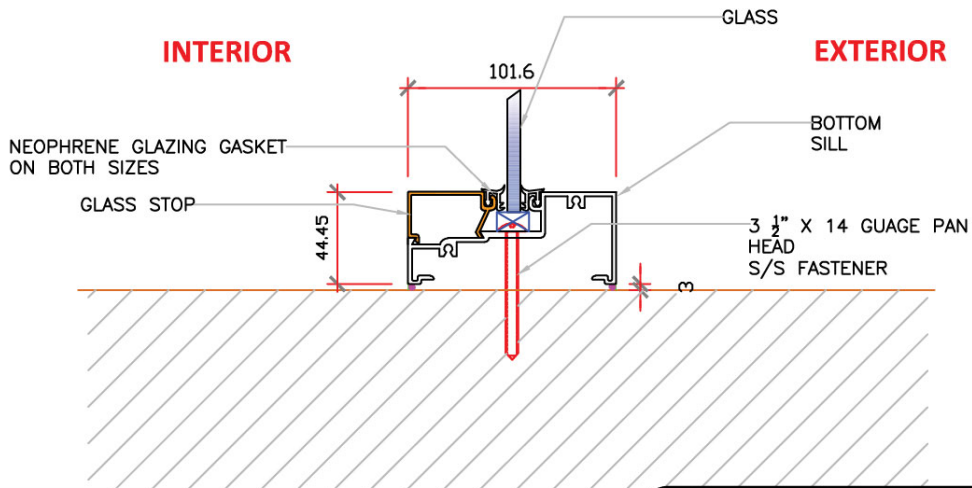
Drawn: XXX	SHOPFRONT		
Scale: NTS	Detail: ELEVATION		
Dwg. Chk. XXX	Dwg. No.		
Date: 01/01/2019	001		
	Job. No.	Sheet No.	Rev.

# Shopfront - (A & B) Details



## DETAIL B

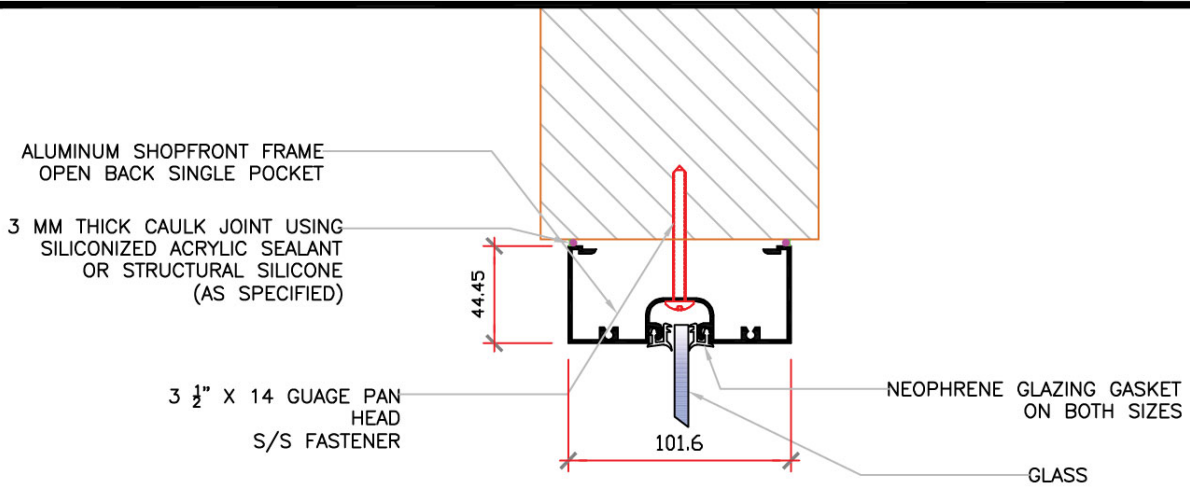
**SCALE: N.T.S.**



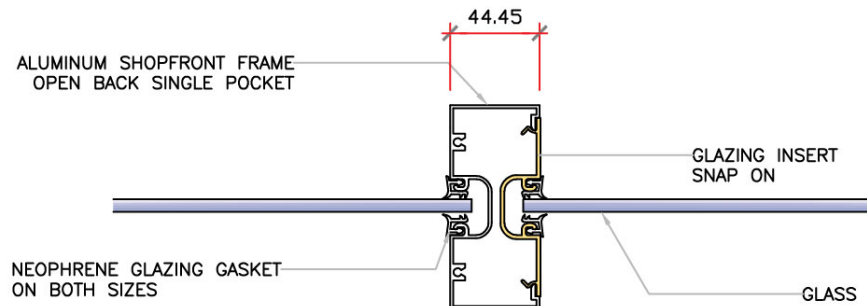
**ROOF SYSTEMS** **PELLCO LIFT** **Gbi**  
CAVITY SEALING WINDOWS & DOORS  
**MORE than just roofing**  
 TEL: 1(868) 285-9164 [www.roofsystemstt.com](http://www.roofsystemstt.com)

Drawn: XXX	EURO SLIDING DOOR
Scale: NTS	Detail: DETAILS
Dwg. Chk. XXX	Dwg. No.
Date: 01/01/2019	001
	Job. No.   Sheet No.   Rev.

# Shopfront - Details C & D



**DETAIL C**  
**SCALE: N.T.S.**



**DETAIL D**  
**SCALE: N.T.S.**

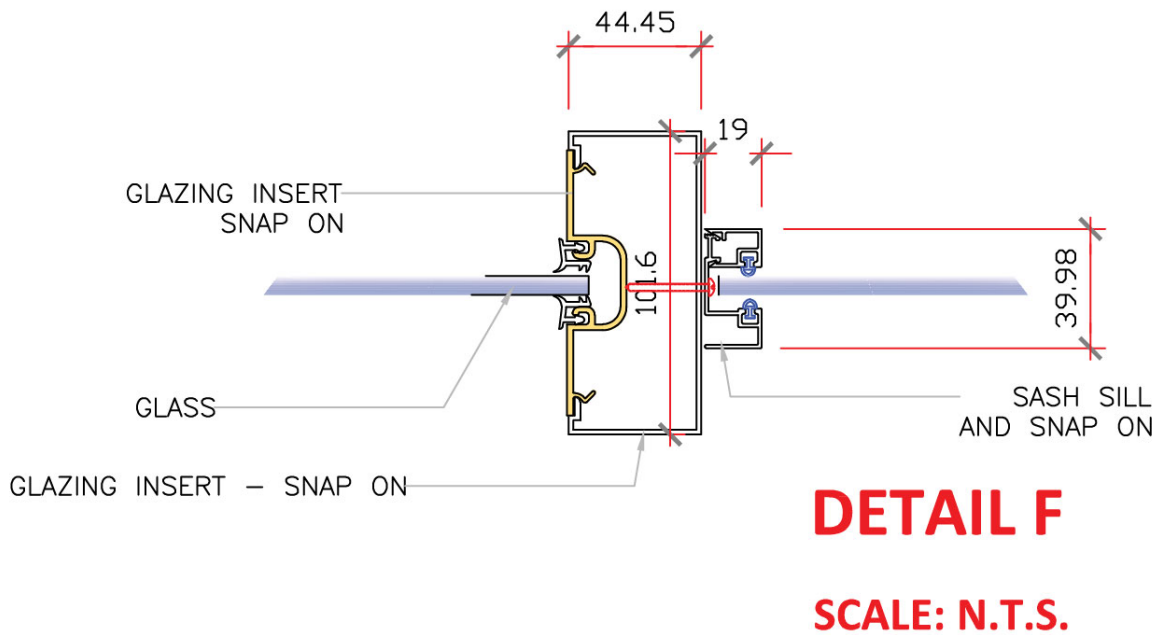
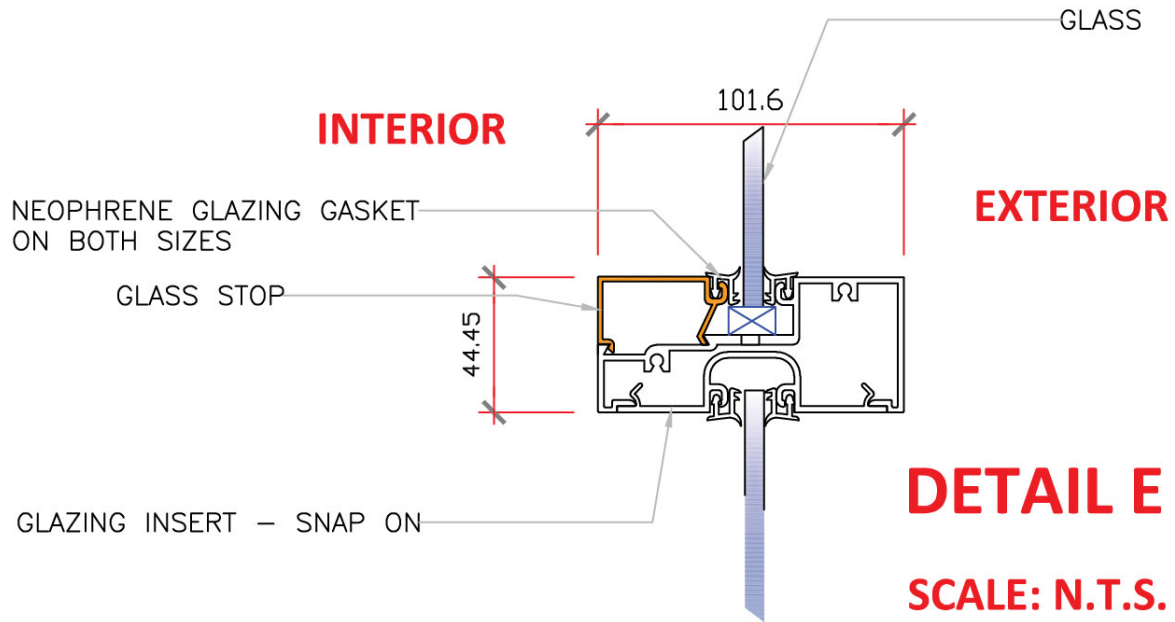



  
**ROOF SYSTEMS** **RELCO LIFT** **GGI**  
 MORE than just roofing  
 TEL: 1(868) 285-9164 www.roofsystemstt.com

Drawn: XXX	SHOPFRONT DETAIL		
Scale: NTS	Detail: DETAILS		
Dwg. Chk. XXX	Dwg. No.		
Date: 01/01/2019	001		
	Job. No.	Sheet No.	Rev.

# Shopfront

## - Details E & F





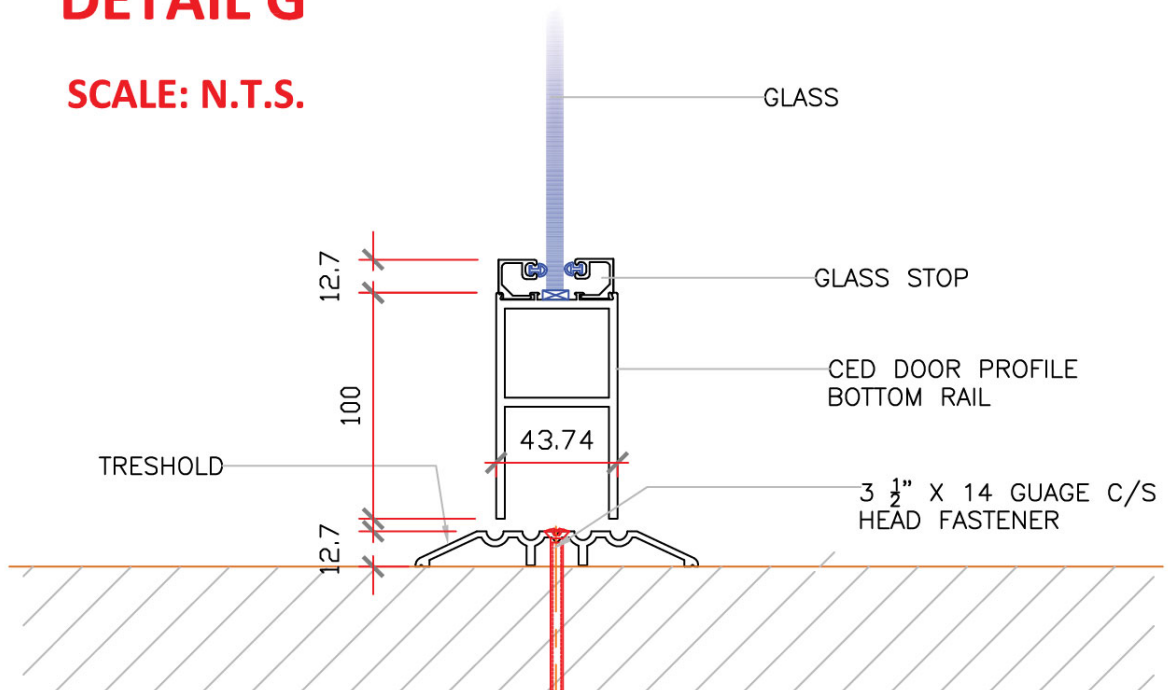

  
**ROOF SYSTEMS** **RELCO LIFT** **GGI**  
 MORE than just roofing  
 TEL: 1(868) 285-9164 www.roofsystemstt.com

Drawn: XXX	SHOPFRONT DETAIL		
Scale: NTS	Detail: DETAILS		
Dwg. Chk. XXX	Dwg. No.		
Date: 01/01/2019	001		
	Job. No.	Sheet No.	Rev.

# Shopfront - Details G & H

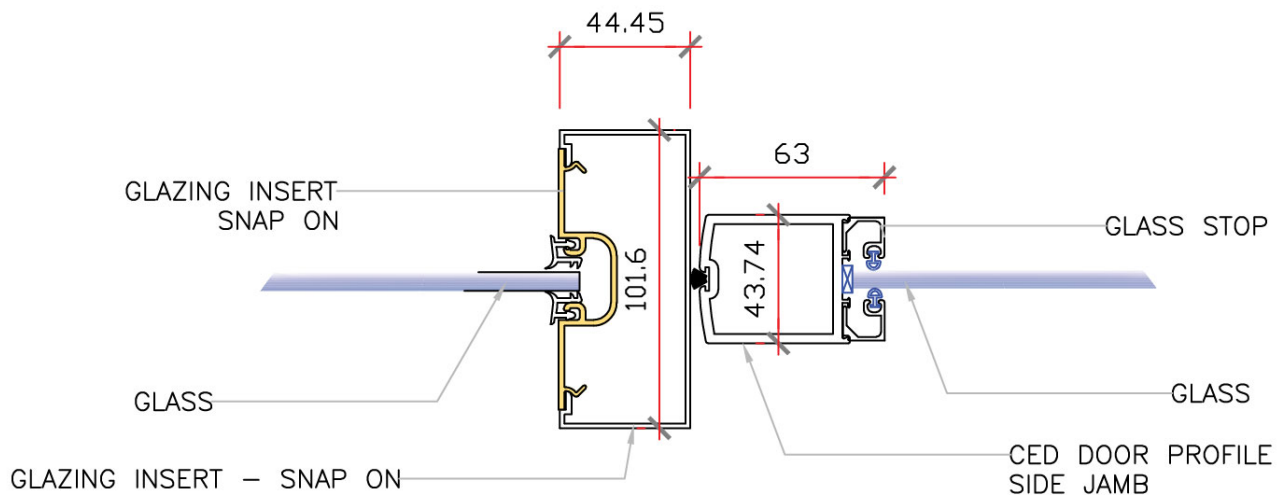
## DETAIL G

SCALE: N.T.S.



## DETAIL H

SCALE: N.T.S.





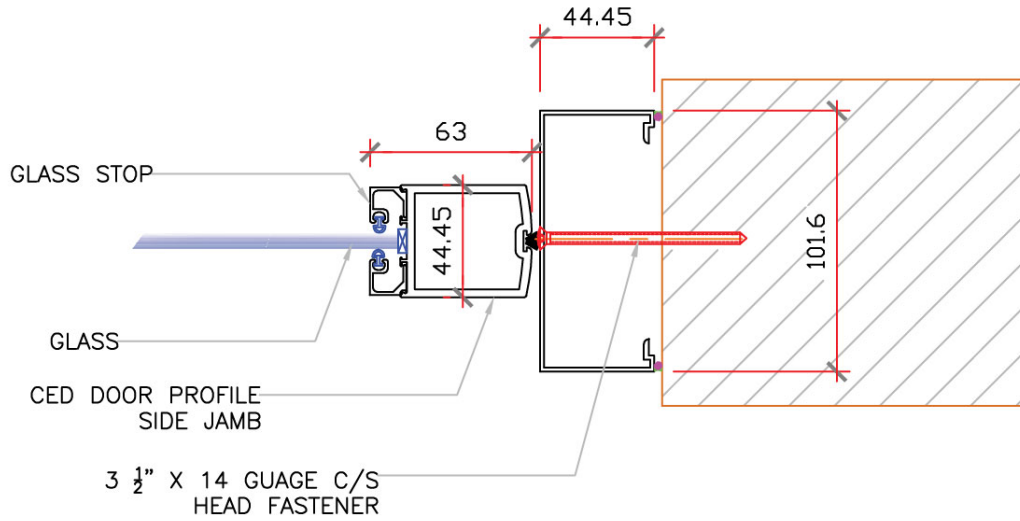

  
**ROOF SYSTEMS** **RELLCO LIFT** **Ggi**  
 MORE than just roofing  
 TEL: 1(868) 285-9164 www.roofsystemstt.com

Drawn: XXX	SHOPFRONT DETAIL		
Scale: NTS	Detail: DETAILS		
Dwg. Chk. XXX	Dwg. No.		
Date: 01/01/2019	001		
	Job No.	Sheet No.	Rev.

# Shopfront - Details I & J

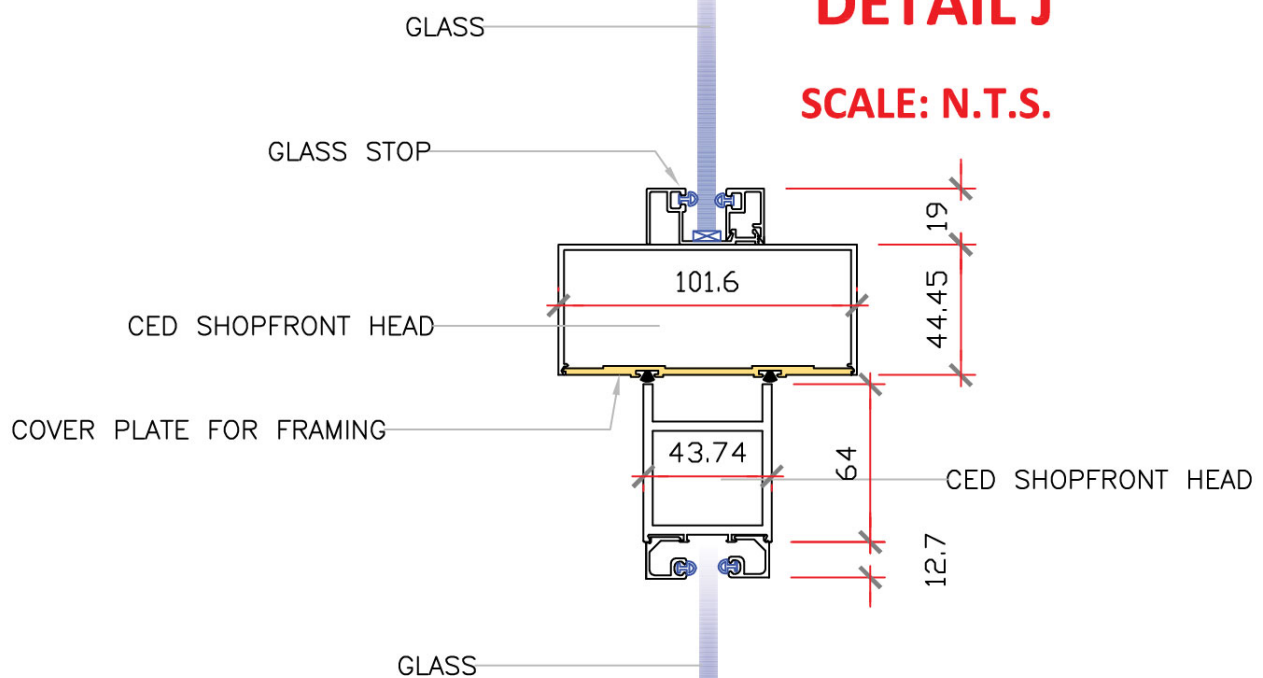
## DETAIL I

SCALE: N.T.S.



## DETAIL J

SCALE: N.T.S.



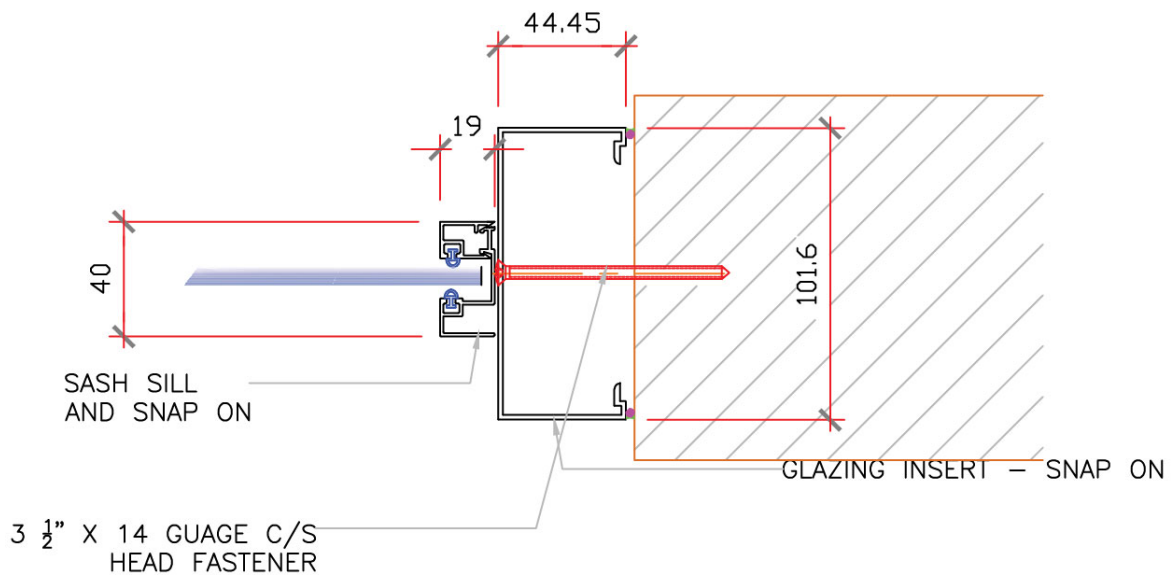
**ROOF SYSTEMS**  
**PELLCO LIFT**  
**GGI**  
**MORE than just roofing**  
 TEL: 1(868) 285-9164 www.roofsystemstt.com

Drawn: XXX	SHOPFRONT DETAIL		
Scale: NTS	Detail: DETAILS		
Dwg. Chk. XXX	Dwg. No.		
Date: 01/01/2019	001		
	Job. No.	Sheet No.	Rev.

# Shopfront - Details K

## DETAIL K

SCALE: N.T.S.







**ROOF SYSTEMS** MORE than just roofing

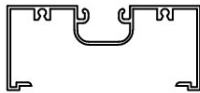
TEL: 1(868) 285-9164 [www.roofsystemstt.com](http://www.roofsystemstt.com)

Drawn: XXX	SHOPFRONT DETAIL		
Scale: NTS	Detail: DETAILS		
Dwg. Chk. XXX	Dwg. No.		
Date: 01/01/2019	001		
	Job. No.	Sheet No.	Rev.

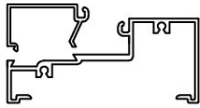
# Shopfront

## - Elevation Profile Details

### SHOPFRONT PROFILES



XCS 88 – OPEN BACK TUBE – SINGLE POCKET



XCS 89 & 79-1 – BOTTOM SILL WITH SNAP



XCS 91 – GLAZING INSERT – SINGLE POCKET



XCS 87-1 – SASH SILL AND SNAP



XCS 90 – PLAIN INSERT



XCS 20-1 – FULL TUBE



XCS 22A & 21C – SASH SILL AND SNAP



XCS 85-1 – POCKET FILLER



SHOPFRONT GASKET (VINYL)






**ROOF SYSTEMS** **RELLCO** **LIFT** **Ggi**

**MORE** than just roofing

TEL: 1(868) 285-9164 [www.roofsystemstt.com](http://www.roofsystemstt.com)

Drawn: XXX	SHOPFRONT		
Scale: NTS	Detail: ELEVATION		
Dwg. Chk. XXX	Dwg. No.		
Date: 01/01/2019	001		
	Job. No.	Sheet No.	Rev.