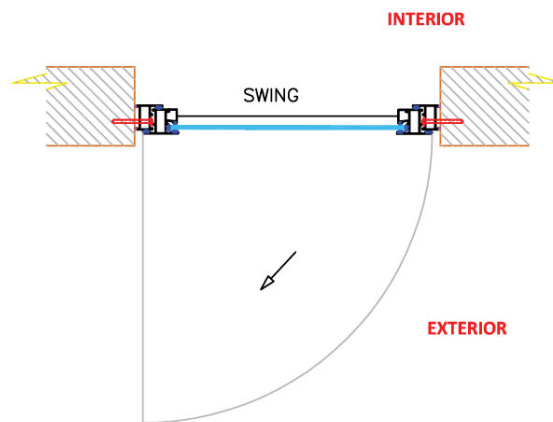
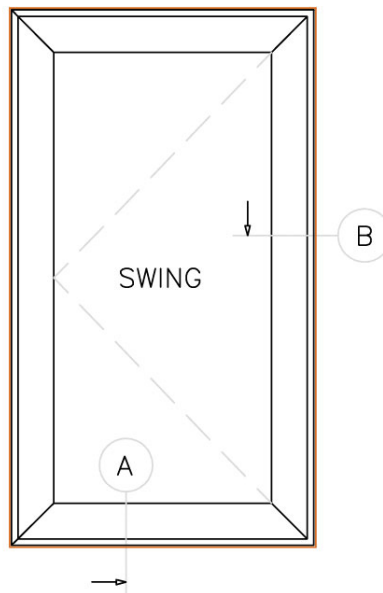


Windows

- Heavy Duty Casement Details

TYPICAL SWING







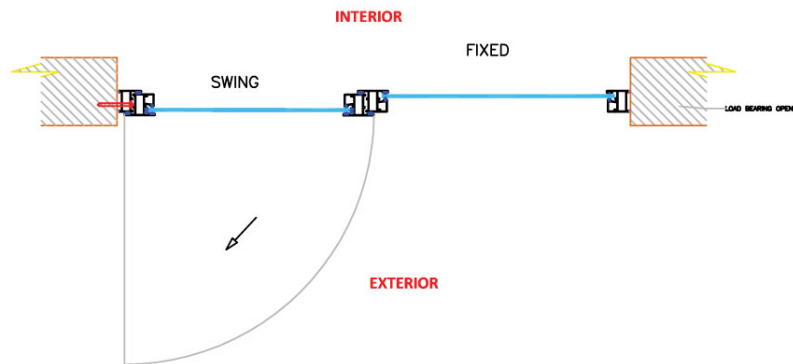
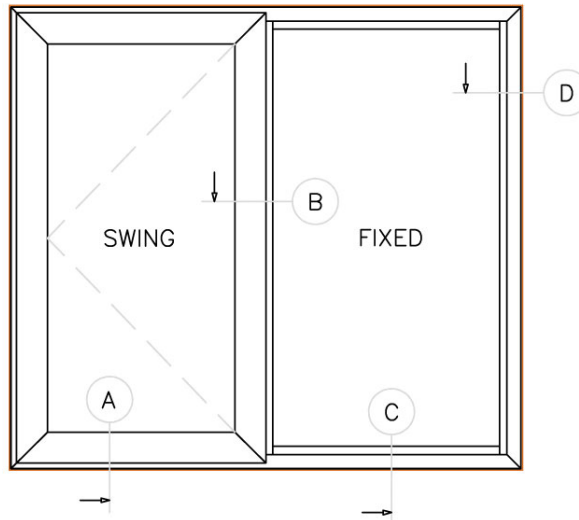
ROOF SYSTEMS **RELLCO LIFT** **GGI**
 MORE than just roofing
 TEL: 1(868) 285-9164 www.roofsystemstt.com

Drawn: XXX	Heavy Duty Casement		
Scale: NTS	Detail: ELEVATION		
Dwg. Chk. XXX	Dwg. No.		
Date: 01/01/2019	001		
	Job. No.	Sheet No.	Rev.

Windows

- Heavy Duty Casement Details

SWING AND FIXED COMBO








MORE than just roofing

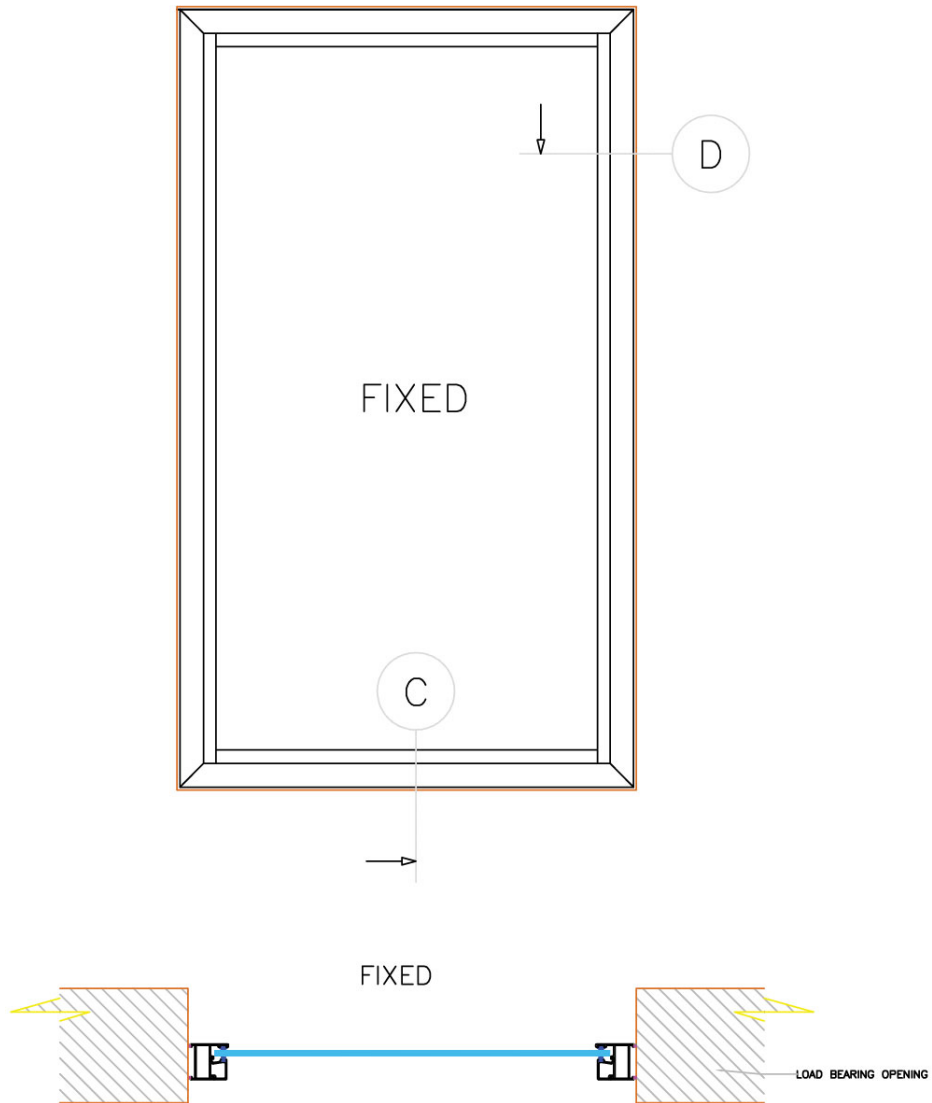
TEL: 1(868) 285-9164 www.roofsystemstt.com

Drawn: XXX	Heavy Duty Casement		
Scale: NTS	Detail: ELEVATION		
Dwg. Chk. XXX	Dwg. No.		
Date: 01/01/2019	001		
	Job. No.	Sheet No.	Rev.

Windows

- Heavy Duty Casement Details

TYPICAL FIXED



 **ROOF SYSTEMS**
TEL: 1(868) 285-9164 www.roofsystemstt.com

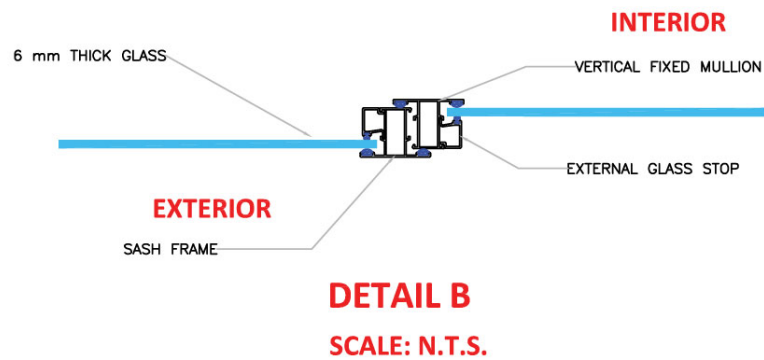
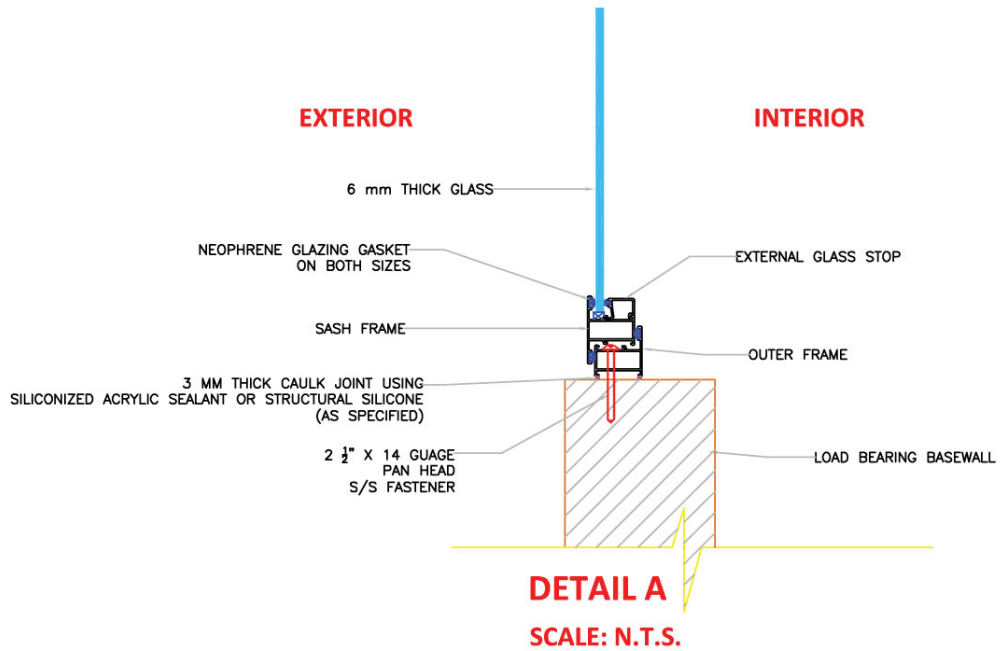
 **RELCO LIFT**
MORE than just roofing

 **Ggi**
WINDOWS DOORS

Drawn: XXX	Heavy Duty Casement
Scale: NTS	Detail: ELEVATION
Dwg. Chk. XXX	Dwg. No.
Date: 01/01/2019	001
	Job. No. Sheet No. Rev.

Windows

- Heavy Duty Casement Details







ROOF SYSTEMS **RELCO LIFT** **GGI**

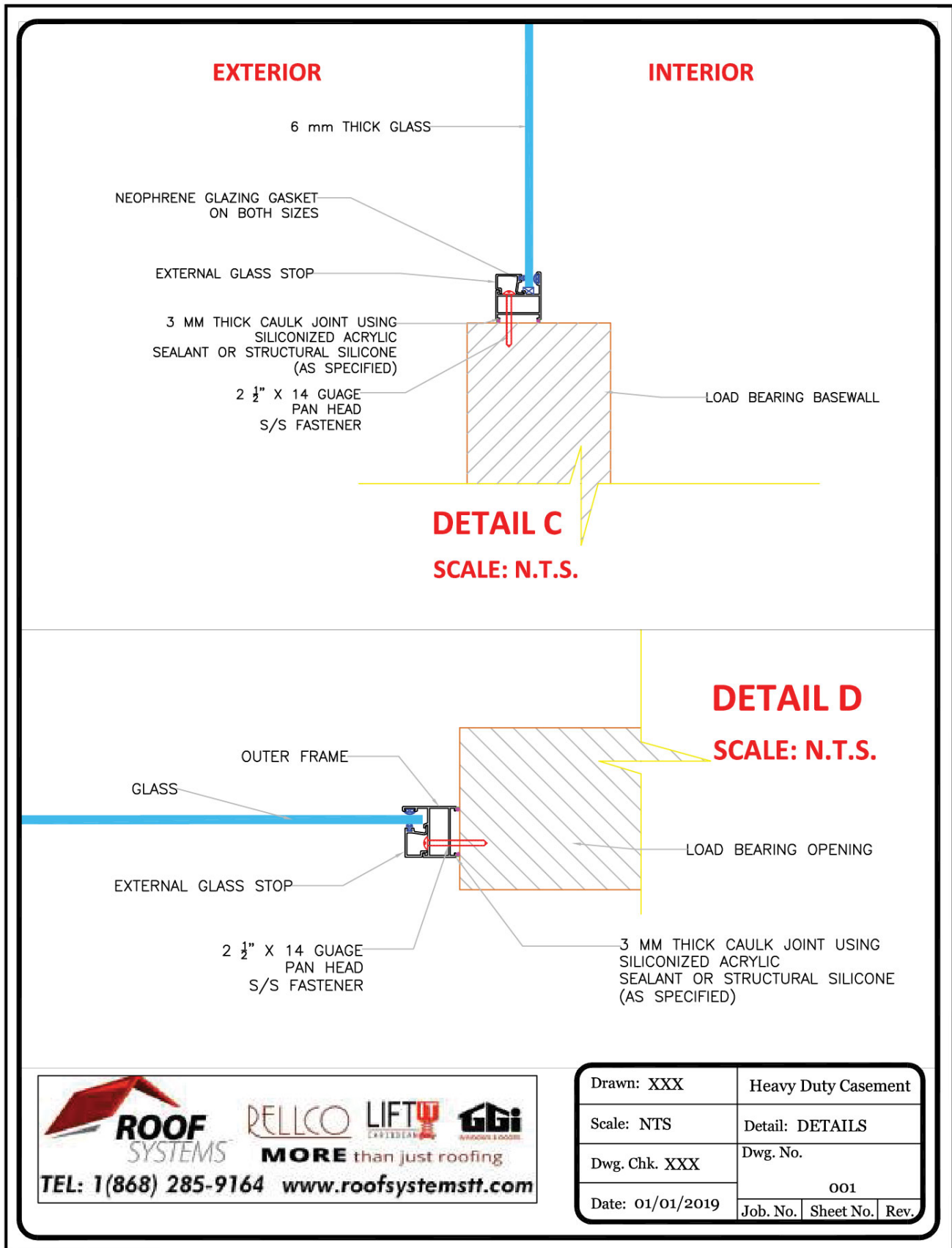
MORE than just roofing

TEL: 1(868) 285-9164 www.roofsystemstt.com

Drawn: XXX	Heavy Duty Casement		
Scale: NTS	Detail: DETAILS		
Dwg. Chk. XXX	Dwg. No.		
Date: 01/01/2019	001		
	Job. No.	Sheet No.	Rev.

Windows

- Heavy Duty Casement Details








ROOF SYSTEMS MORE than just roofing

TEL: 1(868) 285-9164 www.roofsystemstt.com

Drawn: XXX	Heavy Duty Casement
Scale: NTS	Detail: DETAILS
Dwg. Chk. XXX	Dwg. No.
Date: 01/01/2019	001
	Job. No. Sheet No. Rev.

Windows - Casement Handle



SURFACE MOUNTED CASEMENT HANDLE

Code: OH507

Date: 17/07/2019



Especifications

- For casement or projecting windows
- Includes 4 different wedges, cap cover
- Reversible (left and right)

Manufacturing Materials

- Aluminum

Finishes

- Aluminum (AL)
- Black (BK)
- White (WH)

Maintenance and Care of Aluminum Products

- 1) Never use abrasive materials to clean aluminum. This may damage the finish of the paint
- 2) For care use a soft damp cloth to clean anything with an aluminum surface
- 3) Please do not use abrasive cleaners. Bleach and solvents may damage the finish
- 4) In many cases aluminium components are supplied with a surface that is protected by a strippable plastic or paper coating. Please take care to remove this after installation
- 5) Make sure to wipe down hardware after instalation. This helps maintain the durability of the product

Warranty

Olimpia Hardware Inc. guarantees the quality and good functioning of its products at the time of delivery to the customer. Any defective factory unit will be replaced at no cost to the customer. This product also has a one year performance guarantee if it was installed correctly

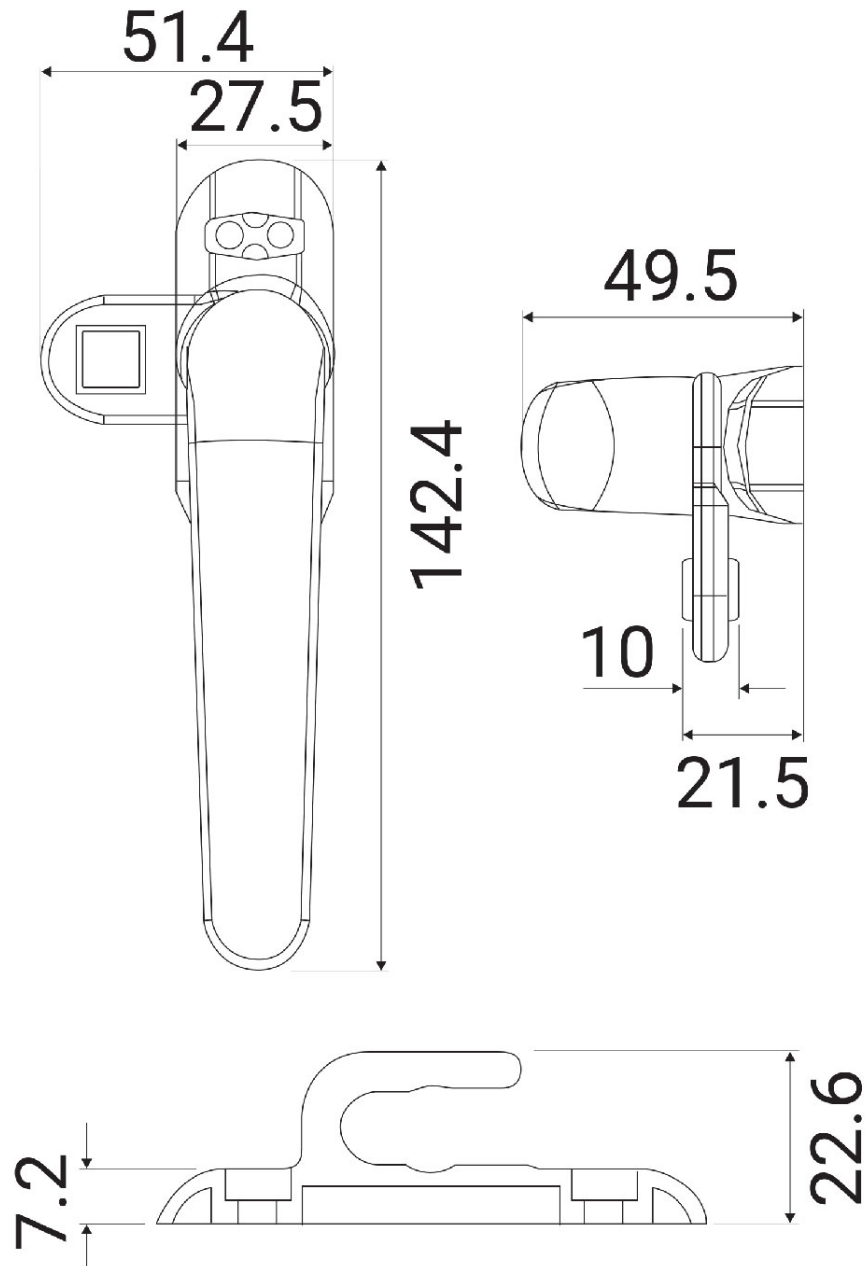
Windows - Casement Handle



SURFACE MOUNTED CASEMENT HANDLE

Code: OH507

Date: 17/07/2019



*Dimensions given in millimeters (mm)

Date: 17/07/2019

www.olimpiahardware.com

Windows

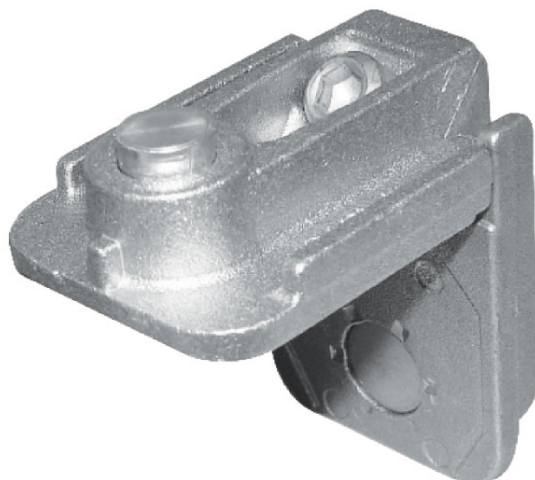
- Corner Joints (Cleats) Details



DIE-CAST ALUMINUM CORNER JOINT

Code: CJ0421

Date: 17/07/2019



Especifications

- Stainless steel retractable button 10.5 mm
- Die-cast aluminum

Maintenance and Care of Aluminum Products

- 1) Never use abrasive materials to clean aluminum. This may damage the finish of the paint
- 2) For care use a soft damp cloth to clean anything with an aluminum surface
- 3) Please do not use abrasive cleaners. Bleach and solvents may damage the finish
- 4) In many cases aluminium components are supplied with a surface that is protected by a strippable plastic or paper coating. Please take care to remove this after installation
- 5) Make sure to wipe down hardware after instalation. This helps maintain the durability of the product

Warranty

Olimpia Hardware Inc. guarantees the quality and good functioning of its products at the time of delivery to the customer. Any defective factory unit will be replaced at no cost to the customer. This product also has a one year performance guarantee if it was installed correctly