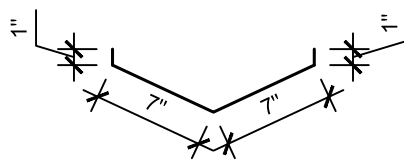
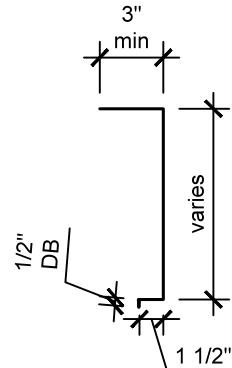


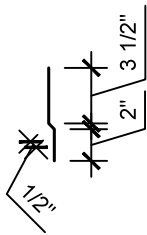
18" Fascia



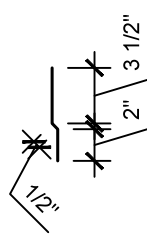
16" Valley



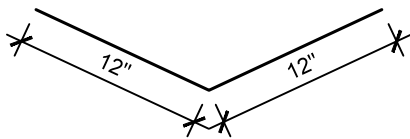
24" Gable



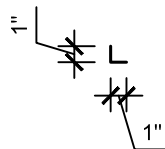
Side Wall
Using Metrotile Flats



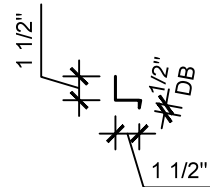
Head Wall
Using Metrotile Flats



24" girth, 1mm Thick
Valley Support



2" girth, 1mm Thick
Angle Support



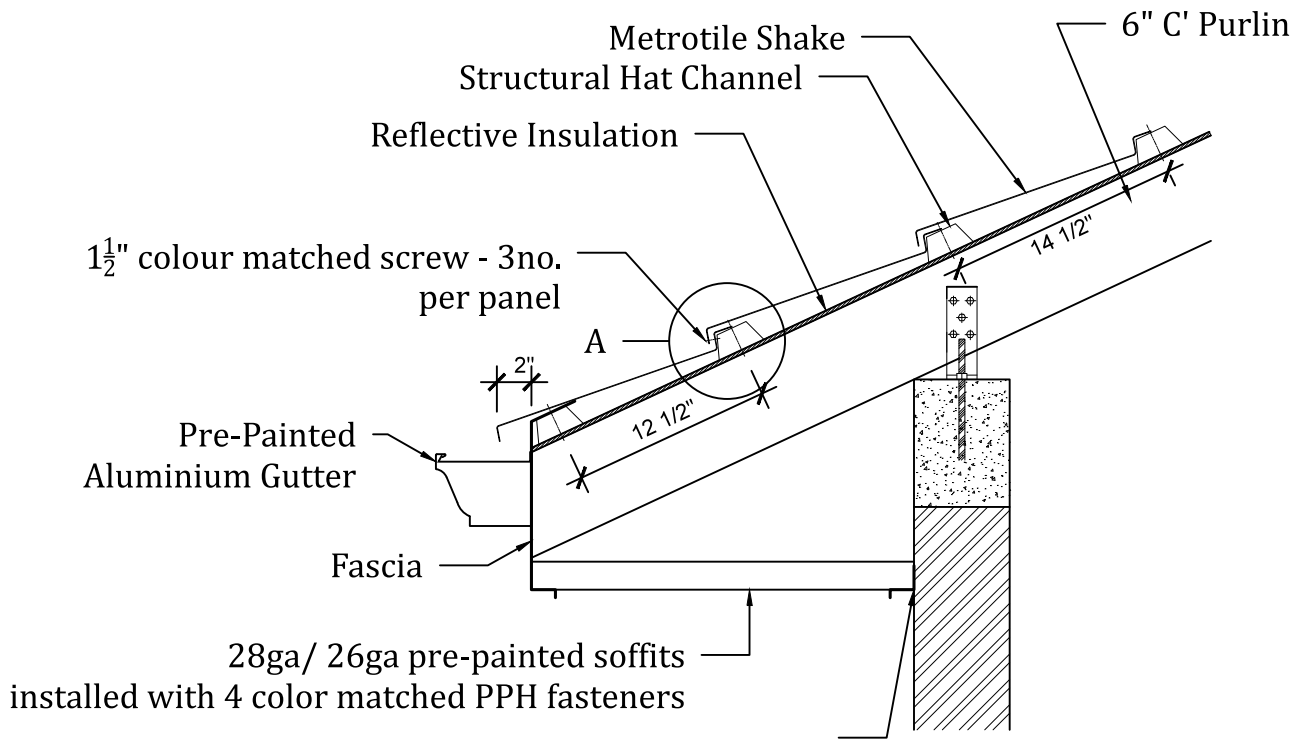
4" Wall Angle



MORE than just roofing

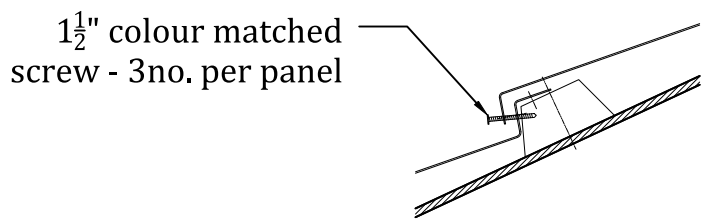
TEL: 1(868) 285-9164 www.roofsystemstt.com

Drawn: XXX	Profile: Metrotile		
Scale: NTS	Detail: Flashing Details		
Dwg. Chk. XXX	Dwg. No.		
Date: 01/01/2019	009		
	Job. No.	Sheet No.	Rev.



Wall angles anchored with HPS fasteners at 24" c/c

FASCIA - TYPICAL



DETAIL 'A'

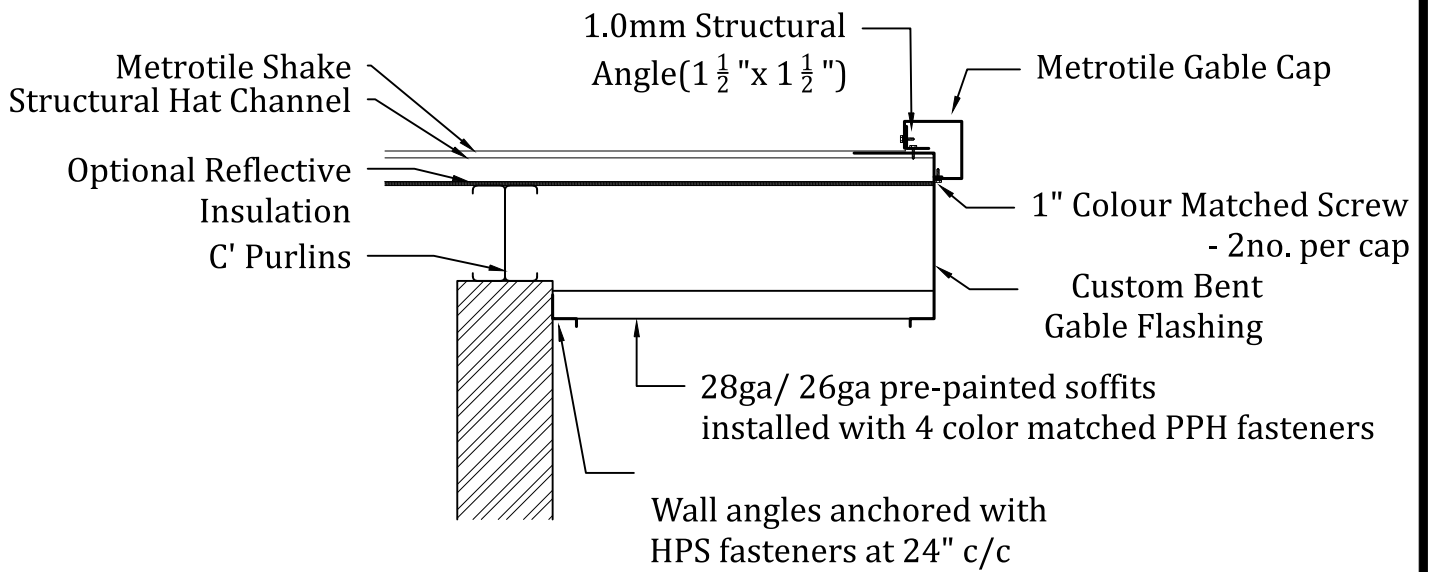





MORE than just roofing

TEL: 1(868) 285-9164 www.roofsystemstt.com

Drawn: XXX	Profile: Metrotile
Scale: NTS	Detail: Fascia Detail
Dwg. Chk. XXX	Dwg. No.
Date: 01/01/2019	001
	Job. No. Sheet No. Rev.



GABLE - TYPICAL

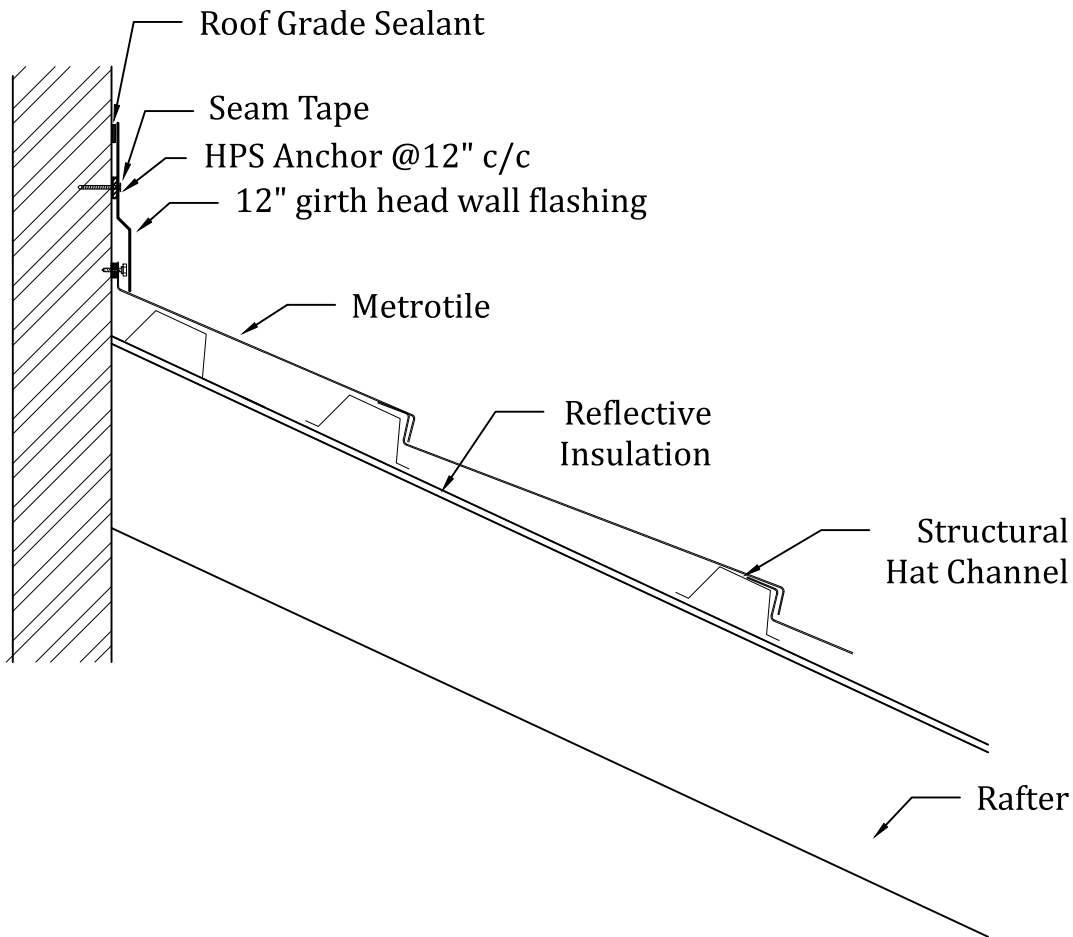





MORE than just roofing

TEL: 1(868) 285-9164 www.roofsystemstt.com

Drawn: XXX	Profile: Metrotile
Scale: NTS	Detail: Gable Detail
Dwg. Chk. XXX	Dwg. No.
Date: 01/01/2019	002
	Job. No. Sheet No. Rev.



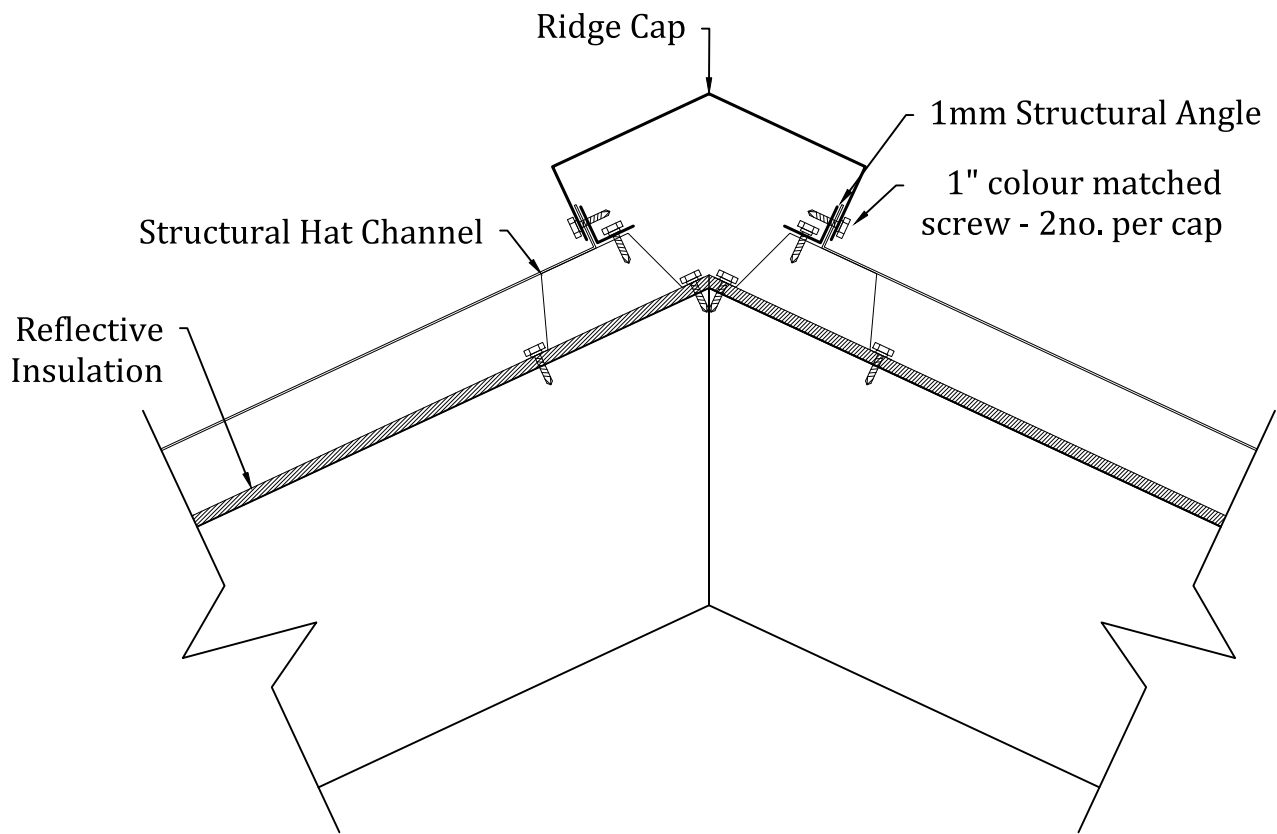
HEAD WALL - TYPICAL



MORE than just roofing

TEL: 1(868) 285-9164 www.roofsystemstt.com

Drawn: XXX	Profile: Metrotile		
Scale: NTS	Detail: Head Wall Detail		
Dwg. Chk. XXX	Dwg. No.		
Date: 01/01/2019	006		
	Job. No.	Sheet No.	Rev.



RIDGE/HIP - TYPICAL

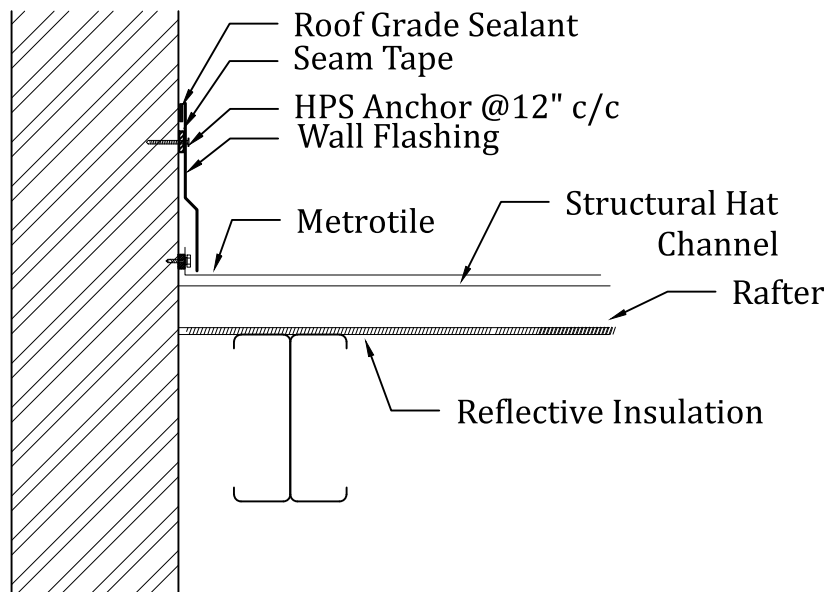





MORE than just roofing

TEL: 1(868) 285-9164 www.roofsystemstt.com

Drawn: XXX	Profile: Metrotile		
Scale: NTS	Detail: Hip Detail		
Dwg. Chk. XXX	Dwg. No.		
Date: 01/01/2019	005		
	Job. No.	Sheet No.	Rev.



SIDE WALL - TYPICAL



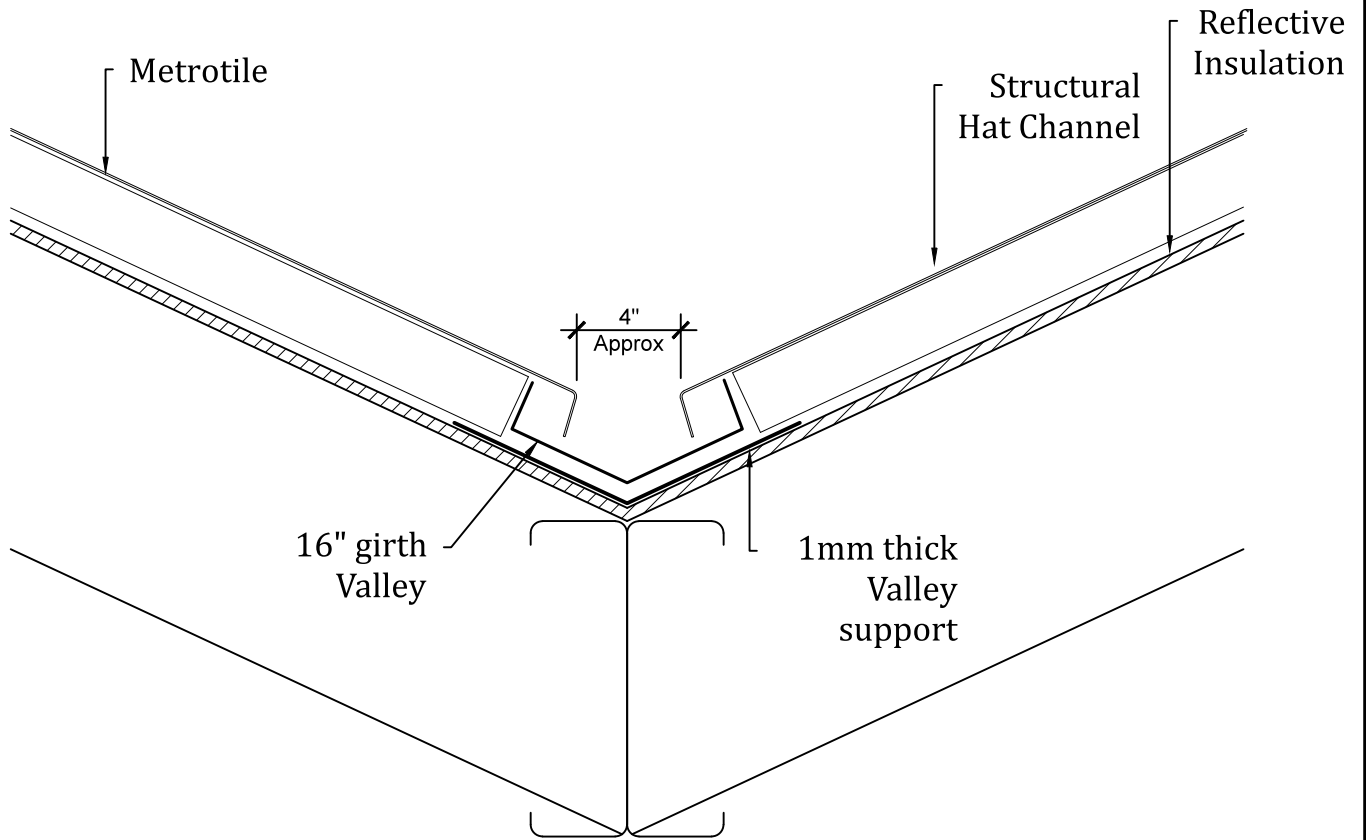



ROOF SYSTEMS™ **RELLCO** **LIFT IT** **GGi**
CARIBBEAN WINDOWS & DOORS

MORE than just roofing

TEL: 1(868) 285-9164 www.roofsystemstt.com

Drawn: XXX	Profile: Metrotile
Scale: NTS	Detail: Side Wall Detail
Dwg. Chk. XXX	Dwg. No.
Date: 01/01/2019	007
	Job. No. Sheet No. Rev.



VALLEY - TYPICAL






MORE than just roofing

TEL: 1(868) 285-9164 www.roofsystemstt.com

Drawn: XXX	Profile: Metrotile
Scale: NTS	Detail: Valley Detail
Dwg. Chk. XXX	Dwg. No.
Date: 01/01/2019	003
	Job. No. Sheet No. Rev.